

Miami 10

Pre MP BUILD

2007 0424

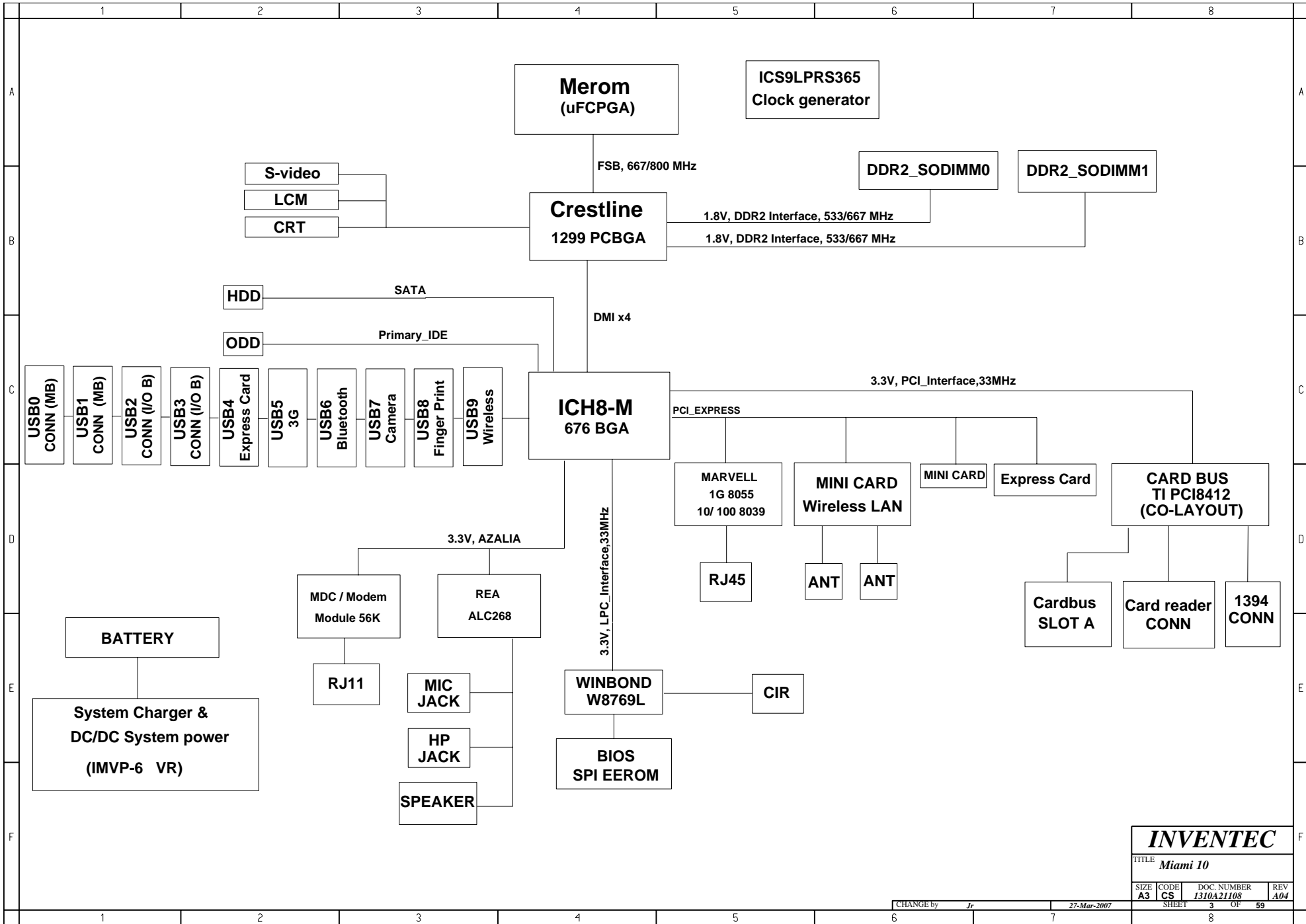
DATE	CHANGE NO.	REV

DRAWER	EE	DATE	POWER	DATE	INVENTEC			
DESIGN								
CHECK								
RESPONSIBLE								
TITLE					<i>Miami 10</i>			
SIZE =	3	VER :						
FILE NAME :	XXXX-XXXXXX-XX				SIZE	CODE	DOC. NUMBER	REV
P/N	XXXXXXXXXXXX				A3	CS	1310A21108	A04
					SHEET	1	OF	59

TABLE OF CONTENTS

PAGE	PAGE	PAGE
1.COVER PAGE	33.S/B ICH8 4	58.EMI
2.INDEX	34.S/B ICH8 5	59.DRILL HOLE
3.BLOCK DIAGRAM	35.CARDBUS CONTROLLER	
4.POWER SEQUENCE BLOCK	36.PCMCIA CONN	
5-12.SYSTEM POWER	37.5 IN 1 CARD SLOT	
13.CLOCK GENERATOR	38.1394 CONTROLLER	
14.CPU Merom1	39.EXPRESS CARD CONN	
15.CPU Merom2	40.LAN CONTROLLER	
16.CPU Merom3	41.RJ11/45 & TRANSFORMER	
17.CPU Merom4	42.WLAN MINI CARD CONN	
18.FAN & THERMAL CONTROLLER	43.SATA HDD CONN	
19.N/B Calistoga 1	44.ODD CONN	
20.N/B Calistoga 2	45.USB CONN	
21.N/B Calistoga 3	46.BLUE TOOTH CONN	
22.N/B Calistoga 4	47.SIM CARD & 3G CONN	
23.N/B Calistoga 5	48.SUPER I/O	
24.N/B Calistoga 6	49.K/B & TP/B CONN	
25.N/B Calistoga 7	50.FINGERPRINT & CAMERA CONN & CIR	
26.DDR2 DIMM0	51.AZALIA CODEC	
27.DDR2 DIMM1	52.AUDIO AMP & MIC & HP	
28.DDR DAMPING	53.MDC 1.5 CONN	
29.LCD CONN	54.KILL & LIDSWITCH & LED	
30.S/B ICH8 1	55.CRT & SVIDEO DB	
31.S/B ICH8 2	56.USB (DB)	
32.S/B ICH8 3	57.PICK BUTTON BOARD	

INVENTEC			
TITLE <i>Miami 10</i>			
SIZE A3	CODE CS	DOC. NUMBER <i>1310A21108</i>	REV <i>A04</i>
CHANGE by <i>Jr</i>		<i>27-Mar-2007</i>	
SHEET		2	OF 59



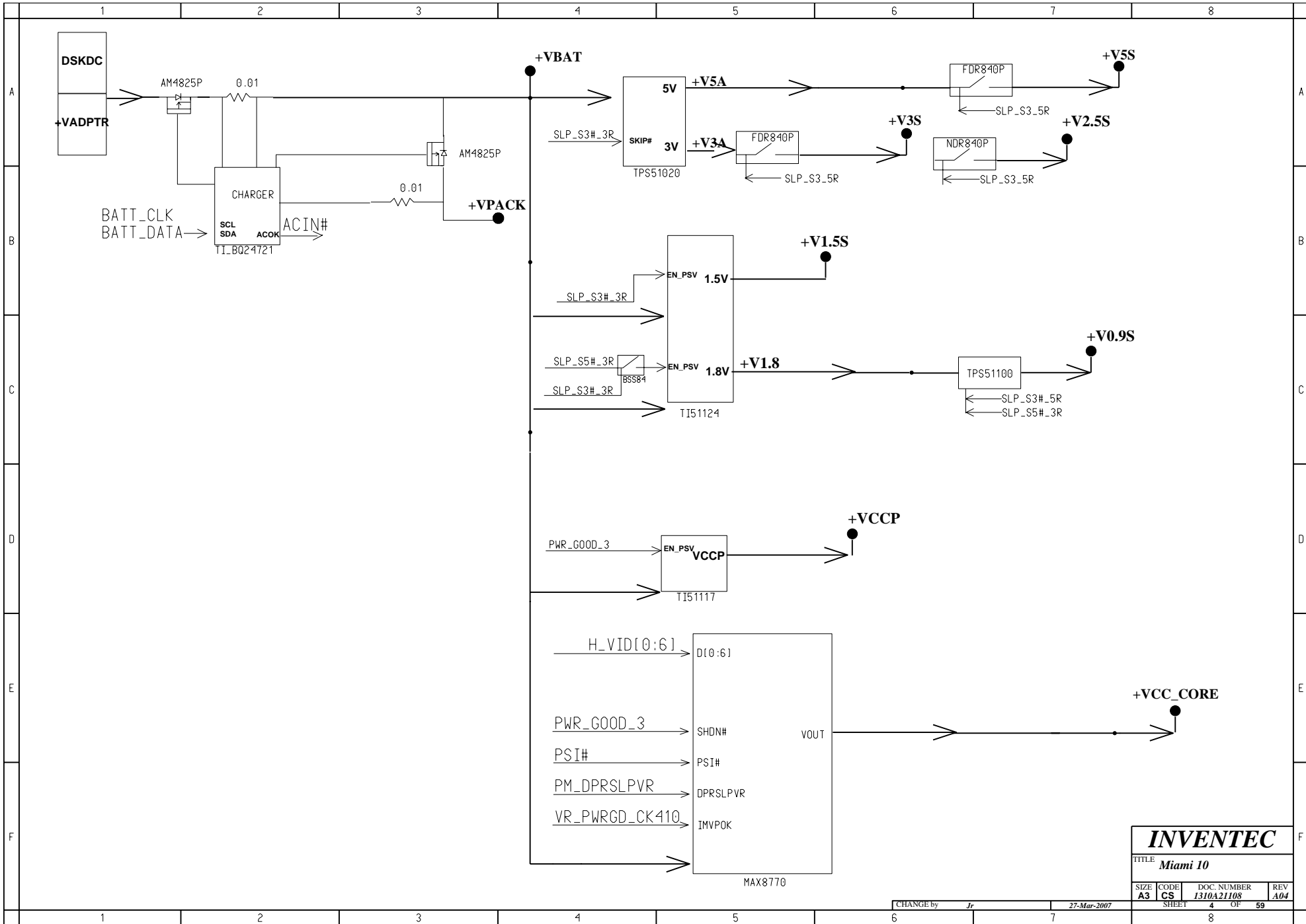
INVENTEC

TITLE *Miami 10*

SIZE A3	CODE CS	DOC. NUMBER 1310A21108	REV A04
-------------------	-------------------	----------------------------------	-------------------

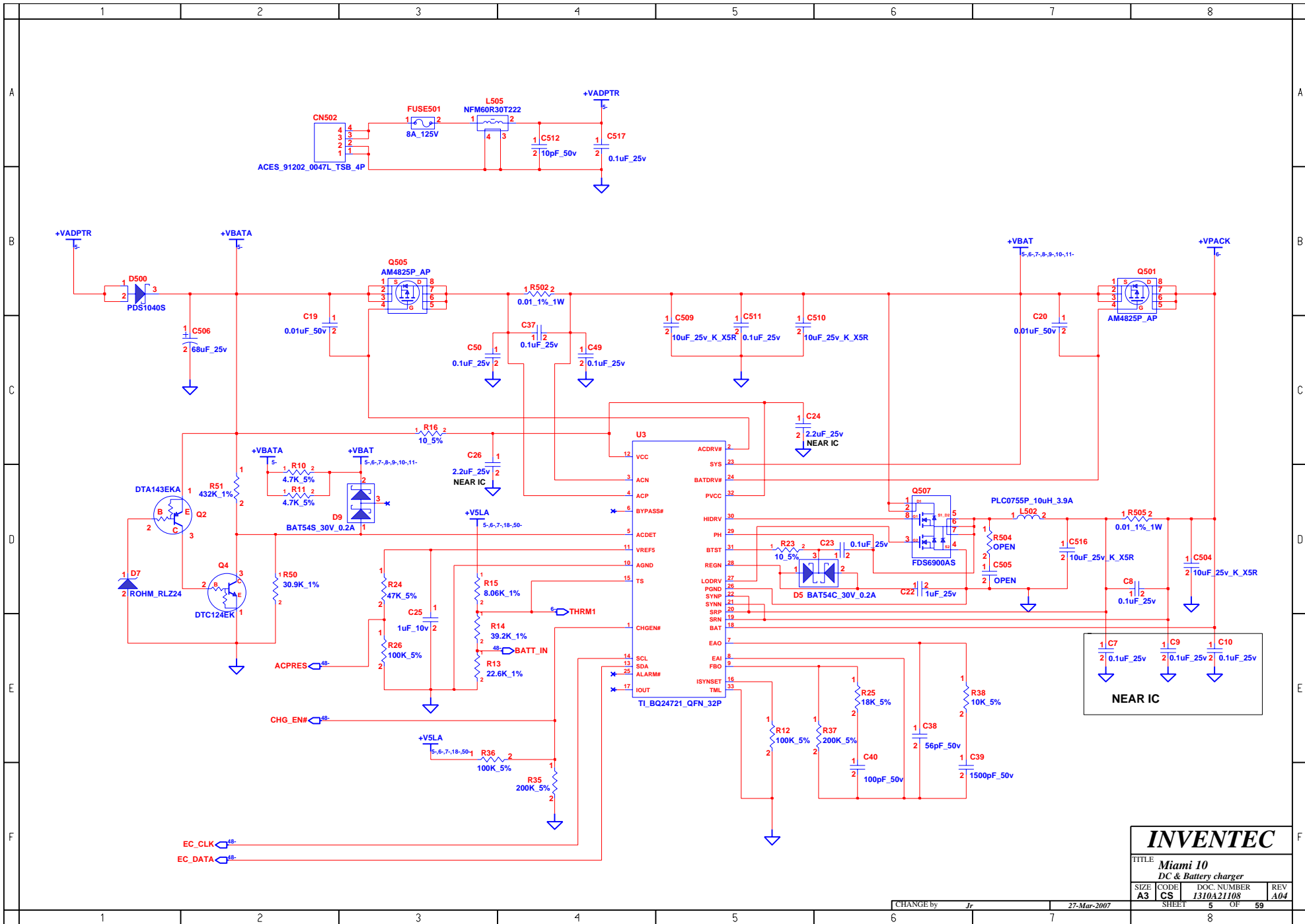
CHANGE by *Jr* 27-Mar-2007

SHEET 3 OF 59

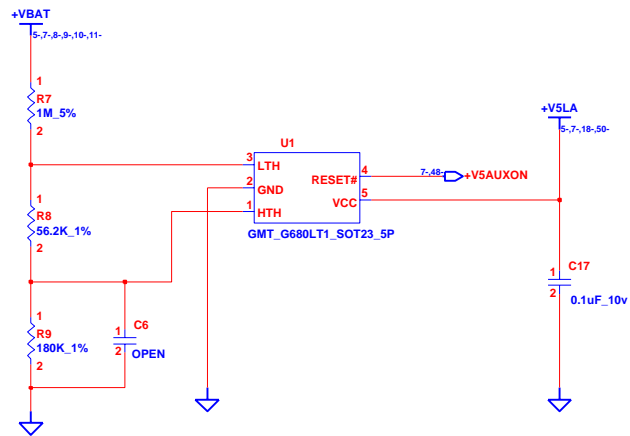
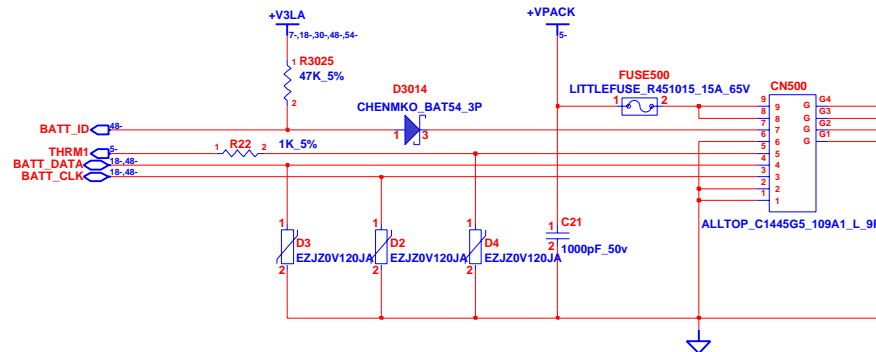


INVENTEC			
TITLE <i>Miami 10</i>			
SIZE A3	CODE CS	DOC. NUMBER 1310A21108	REV A04
SHEET		OF	
4		59	

CHANGE by *Jr* 27-Mar-2007



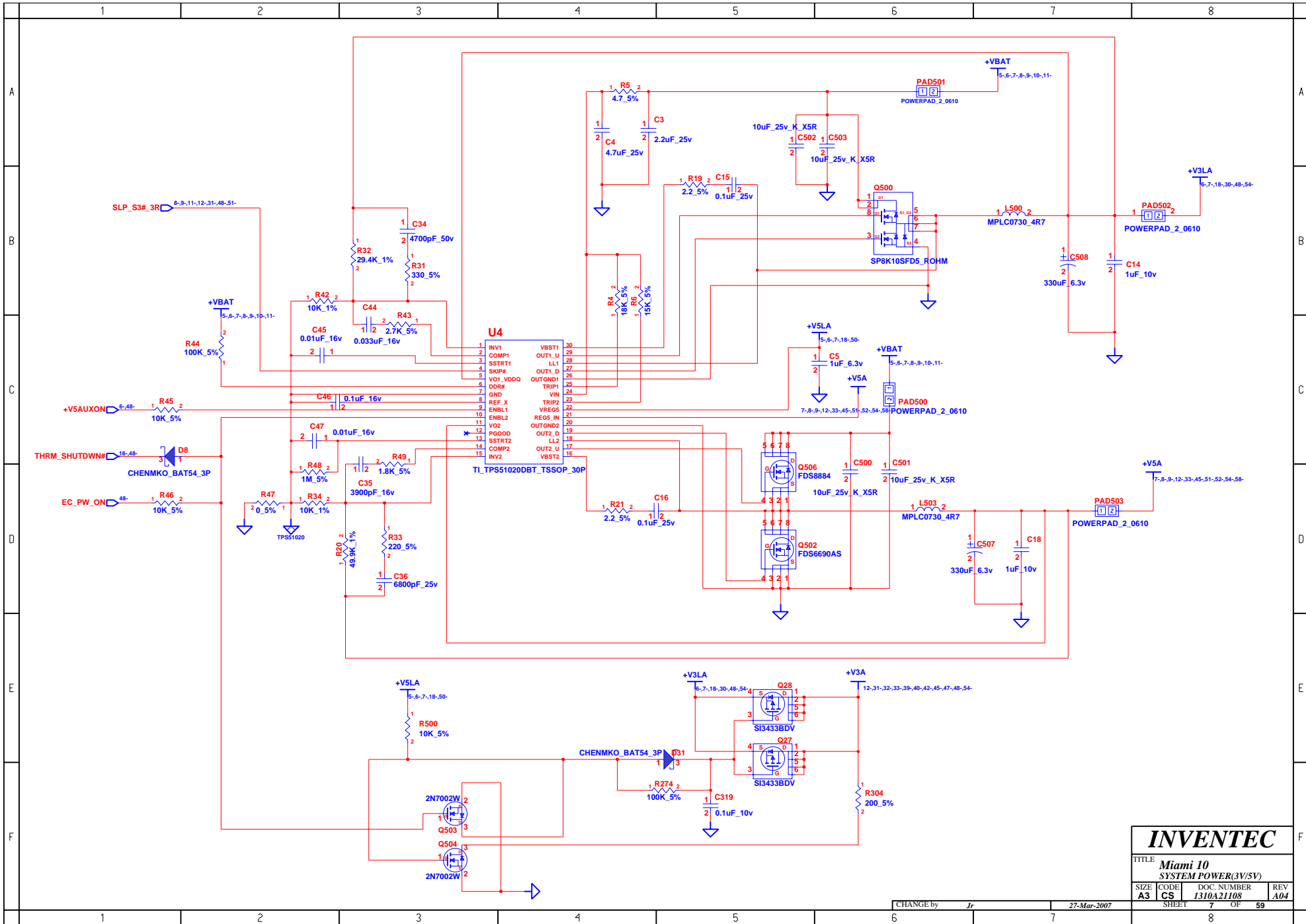
INVENTEC			
TITLE Miami 10 DC & Battery charger			
SIZE A3	CODE CS	DOC NUMBER 1310A21108	REV A04
CHANGE by <i>Jr</i>		27-Mar-2007	
SHEET 5		OF 59	



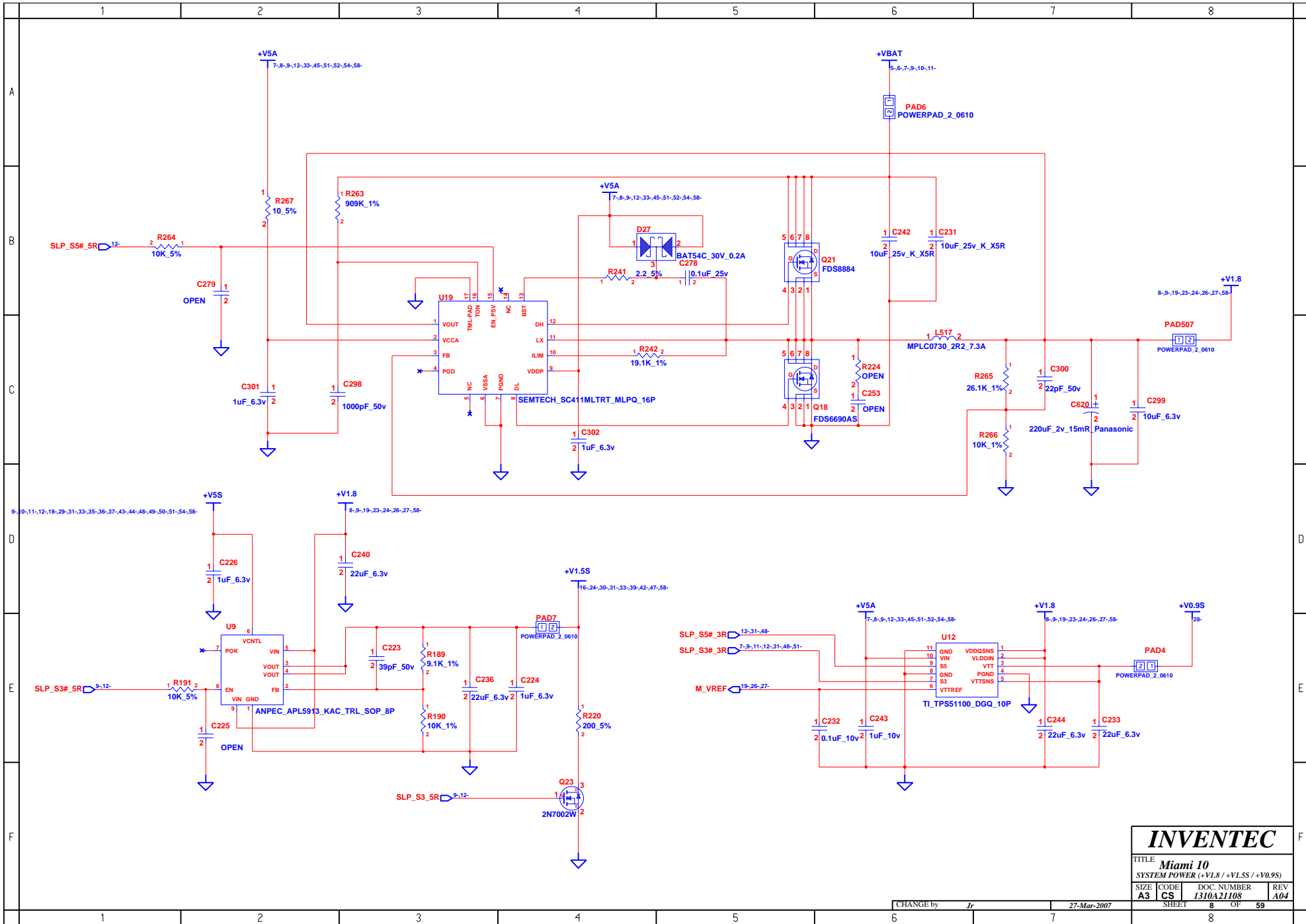
INVENTEC

TITLE			
Miami 10 BATTERY CONN			
SIZE	CODE	DOC. NUMBER	REV
A3	CS	1310A21108	A04
CHANGE by		SHEET	
Jr		6 OF 59	

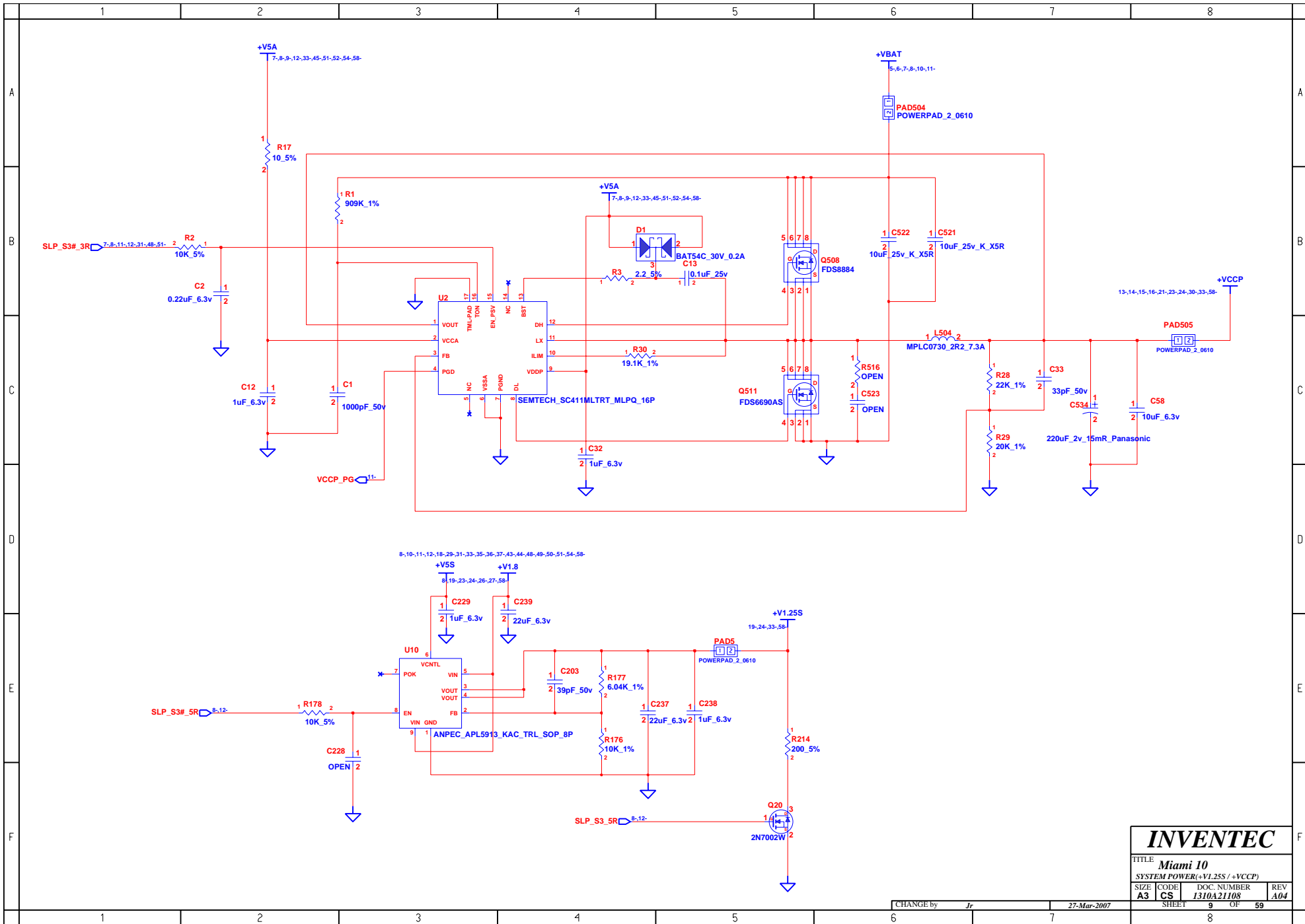
27-Mar-2007



INVENTEC			
TITLE Miami 10 SYSTEM POWER(3V/5V)			
SIZE A3	CODE CS	DOC. NUMBER I310A21108	REV A04
CHANGE by <i>Jr</i>		27-Mar-2007	
SHEET 7		OF 59	

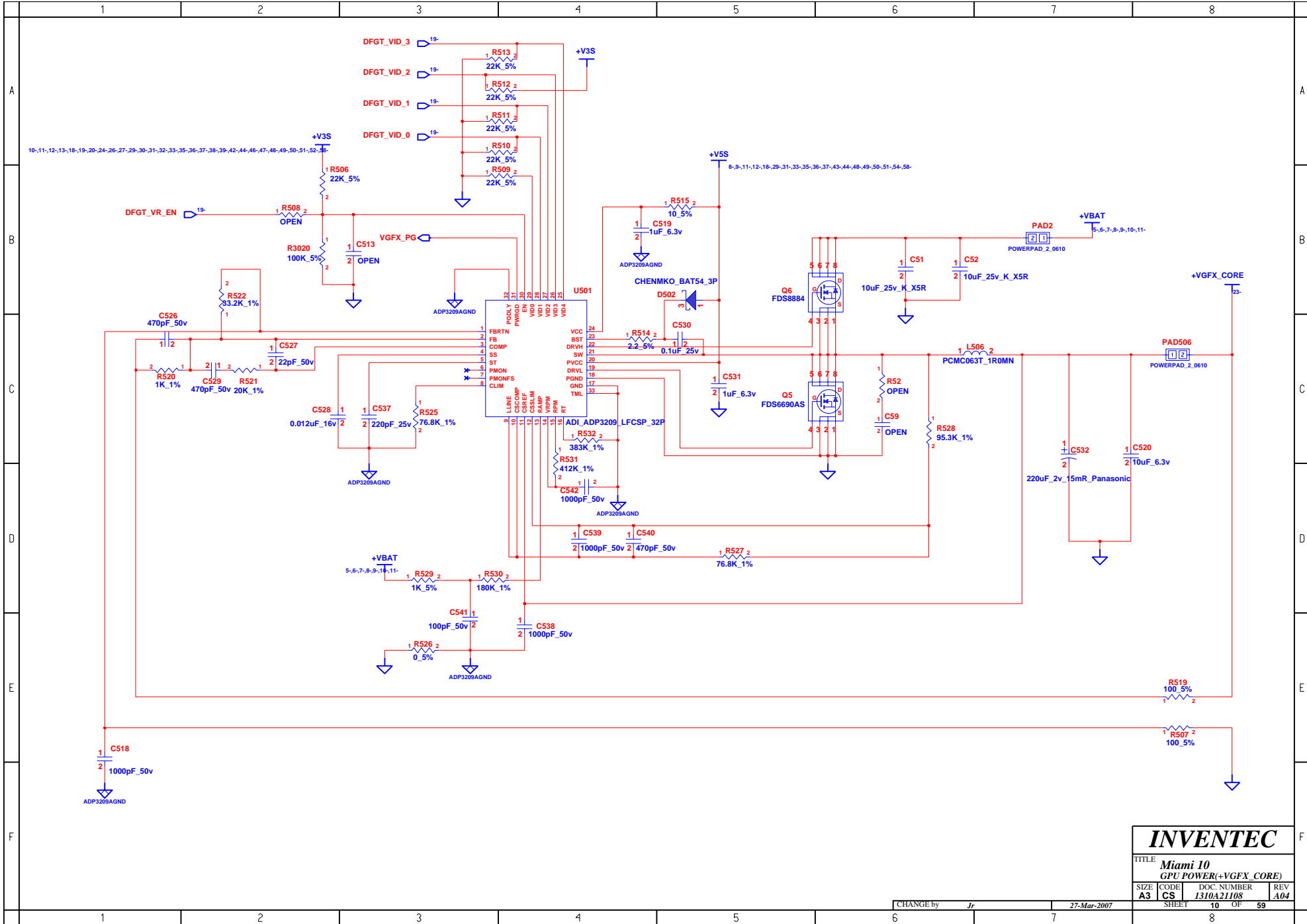


INVENTEC			
TITLE <i>Miami 10</i>			
SYSTEM POWER (+V1.8 / +V1.5S / +V0.9S)			
SIZE A3	CODE CS	DOC. NUMBER I310A21108	REV A04
CHANGE by <i>Jr</i>		27-Mar-2007	
SHEET 8		OF 59	

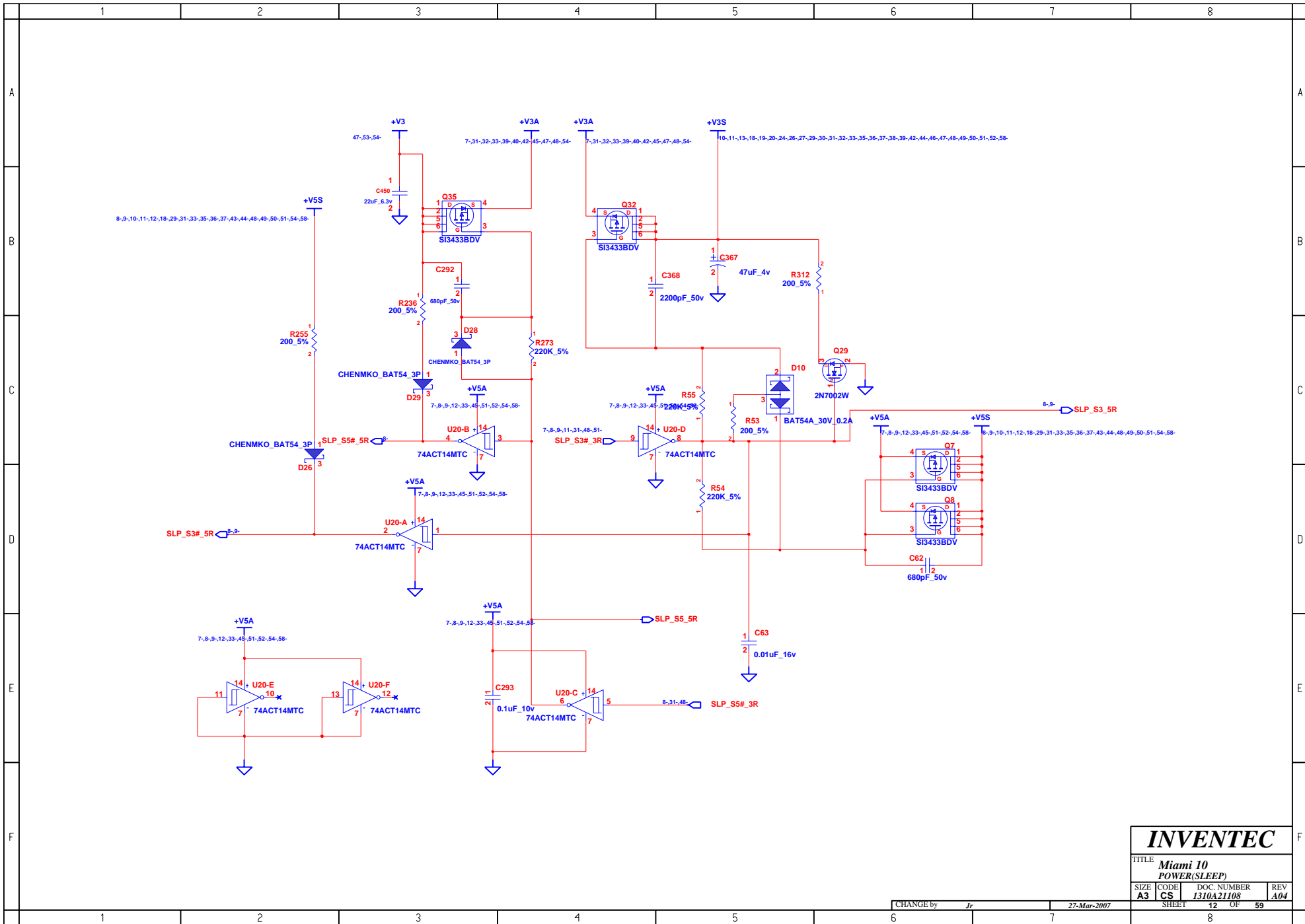


INVENTEC

TITLE			
Miami 10			
SYSTEM POWER(+V1.25S / +VCCP)			
SIZE	CODE	DOC. NUMBER	REV
A3	CS	1310A21108	A04
CHANGE by		27-Mar-2007	
SHEET		9 OF 59	



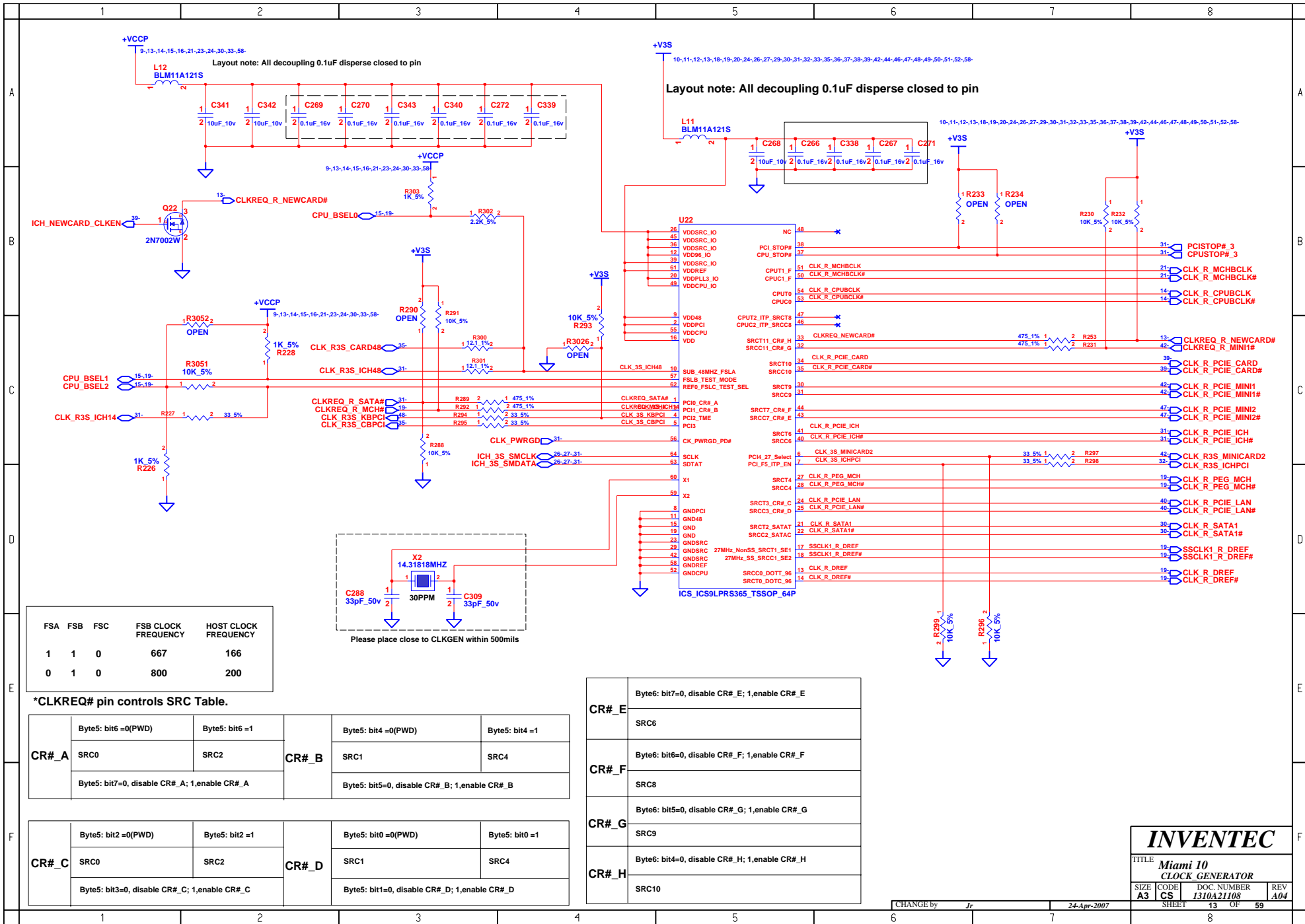
INVENTEC			
TITLE Miami 10 GPU POWER(+VGFX_CORE)			
SIZE A3	CODE CS	DOC. NUMBER 1310A21108	REV A04
CHANGE by <i>Jr</i>		27-Mar-2007	
SHEET 10		OF 59	



INVENTEC

TITLE			
Miami 10 POWER(SLEEP)			
SIZE	CODE	DOC. NUMBER	REV
A3	CS	I310A21108	A04
CHANGE by		SHEET	
Jr		12 OF 59	

27-Mar-2007



FSA	FSB	FSC	FSB CLOCK FREQUENCY	HOST CLOCK FREQUENCY
1	1	0	667	166
0	1	0	800	200

*CLKREQ# pin controls SRC Table.

CR#_A	Byte5: bit6 =0(PWD)		Byte5: bit6 =1		CR#_B	Byte5: bit4 =0(PWD)		Byte5: bit4 =1	
	SRC0	SRC0	SRC2	SRC2		SRC1	SRC1	SRC4	SRC4
Byte5: bit7=0, disable CR#_A; 1,enable CR#_A					Byte5: bit5=0, disable CR#_B; 1,enable CR#_B				

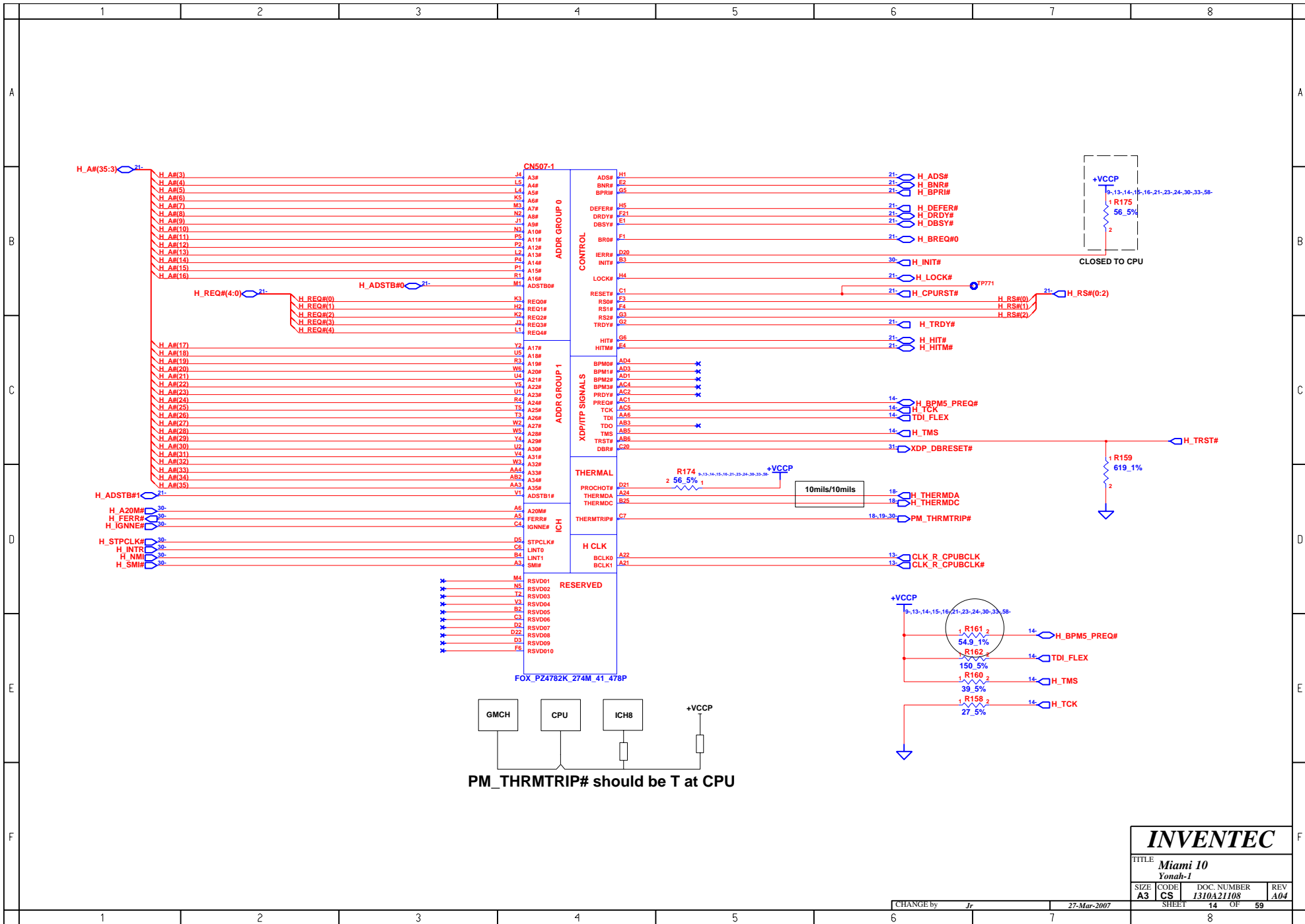
CR#_C	Byte5: bit2 =0(PWD)		Byte5: bit2 =1		CR#_D	Byte5: bit0 =0(PWD)		Byte5: bit0 =1	
	SRC0	SRC0	SRC2	SRC2		SRC1	SRC1	SRC4	SRC4
Byte5: bit3=0, disable CR#_C; 1,enable CR#_C					Byte5: bit1=0, disable CR#_D; 1,enable CR#_D				

CR#_E	Byte6: bit7=0, disable CR#_E; 1,enable CR#_E
SRC6	
CR#_F	Byte6: bit6=0, disable CR#_F; 1,enable CR#_F
SRC8	
CR#_G	Byte6: bit5=0, disable CR#_G; 1,enable CR#_G
SRC9	
CR#_H	Byte6: bit4=0, disable CR#_H; 1,enable CR#_H
SRC10	

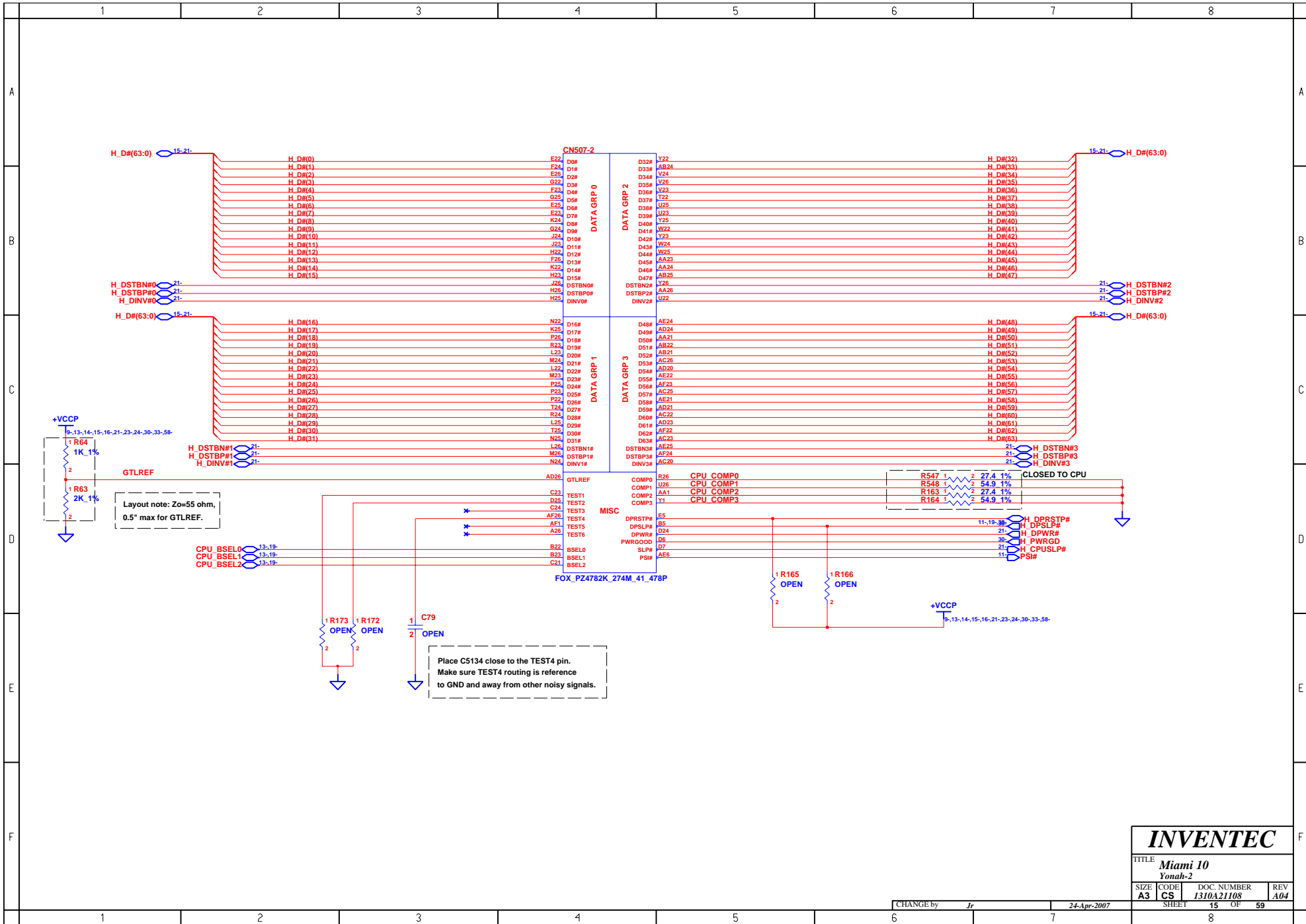
INVENTEC

TITLE: **Miami 10**
CLOCK GENERATOR

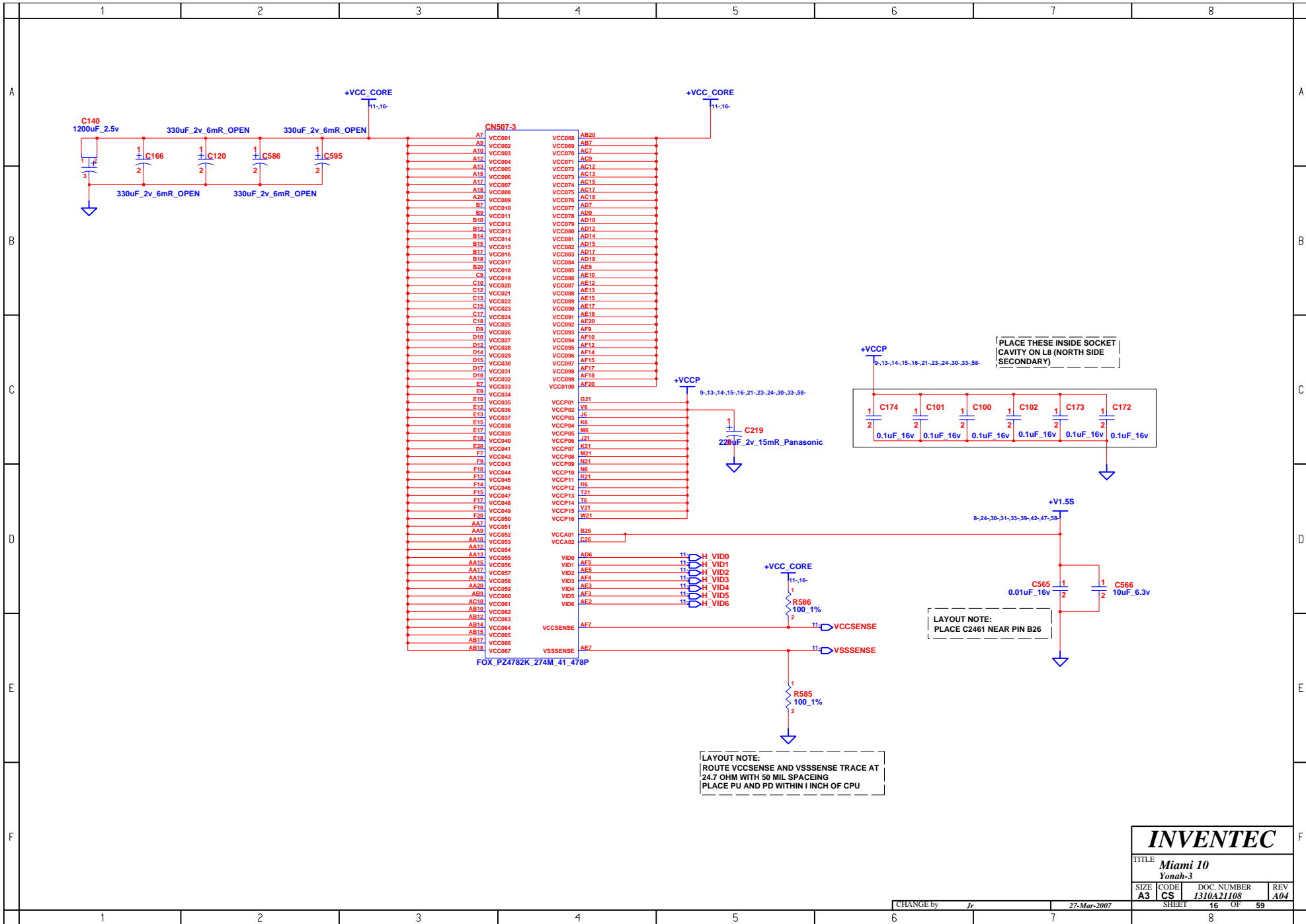
SIZE: A3	CODE: CS	DOC. NUMBER: 1310A21108	REV: A04
SHEET: 13		OF: 59	



INVENTEC			
TITLE: Miami 10			
Yonah-1			
SIZE: A3	CODE: CS	DOC. NUMBER: 1310A21108	REV: A04
CHANGE by: <i>Jr</i>		27-Mar-2007	
SHEET: 14		OF: 59	



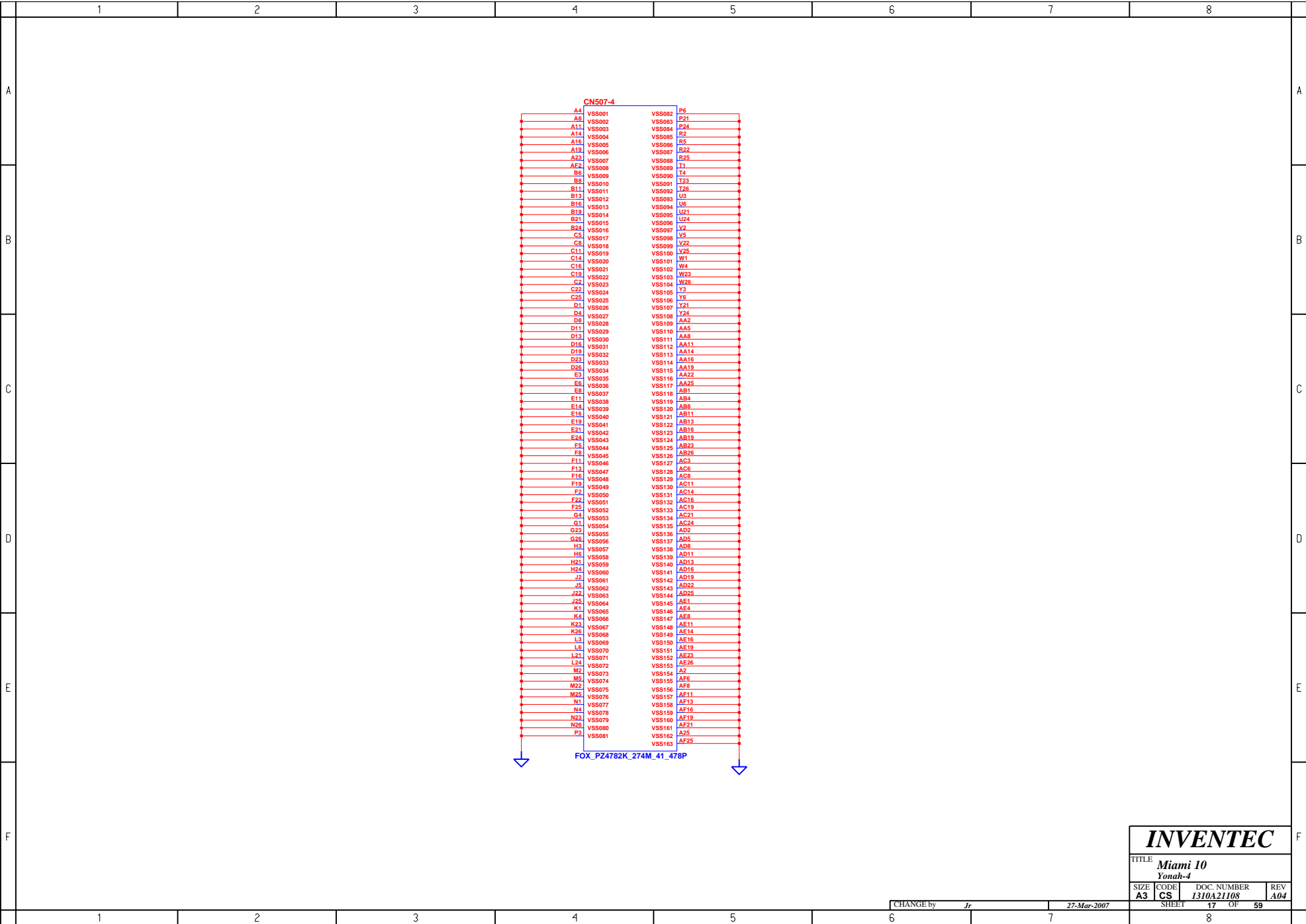
INVENTEC			
TITLE Miami 10 Yonal-2			
SIZE A3	CODE CS	DOC. NUMBER 1310A21108	REV A04
CHANGE by <i>Jr</i>		24-Apr-2007	
SHEET		15 OF 59	



INVENTEC

TITLE			
Miami 10			
Yonah-3			
SIZE	CODE	DOC. NUMBER	REV
A3	CS	1310A21108	A04
CHANGE by		SHEET	
Jr		16 OF 59	

27-Mar-2007



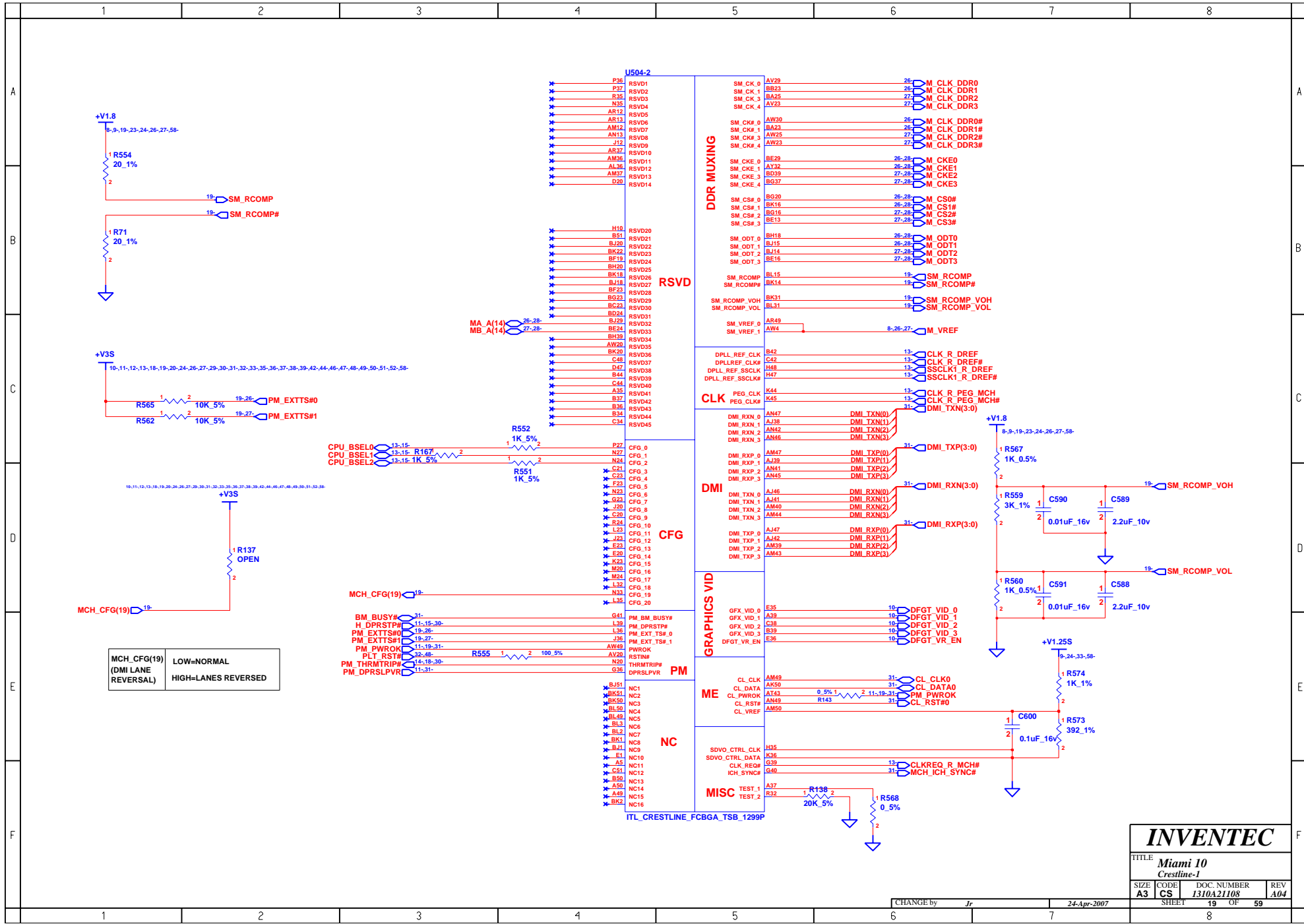
INVENTEC

TITLE *Miami 10
Yonah-4*

SIZE A3	CODE CS	DOC. NUMBER <i>1310A21108</i>	REV <i>A04</i>
-------------------	-------------------	----------------------------------	-------------------

CHANGE by *Jr* 27-Mar-2007

SHEET 17 OF 59



MCH_CFG(19)	LOW=NORMAL
(DMI LANE REVERSAL)	HIGH=LANES REVERSED

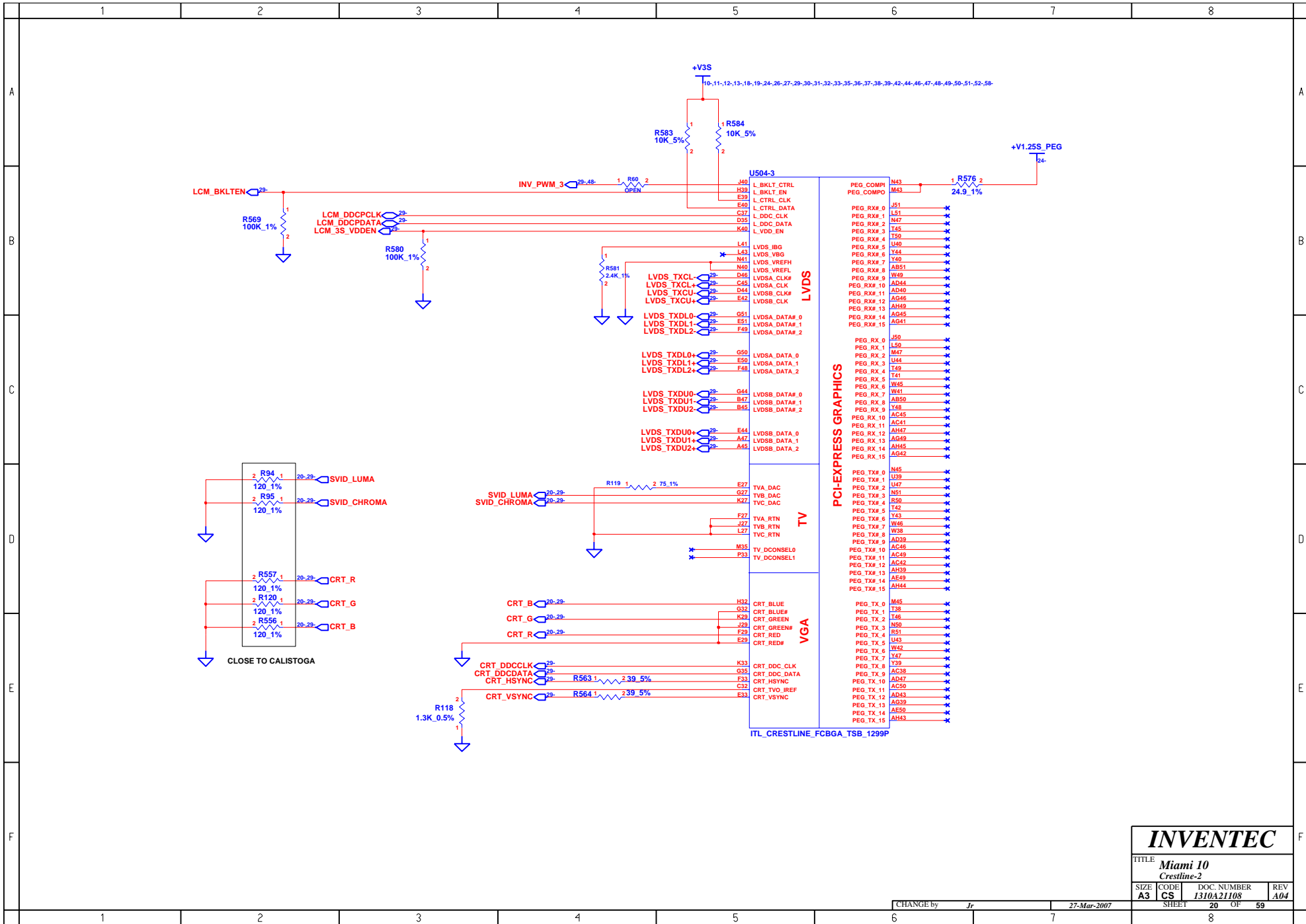
INVENTEC

TITLE: **Miami 10 Crestline-1**

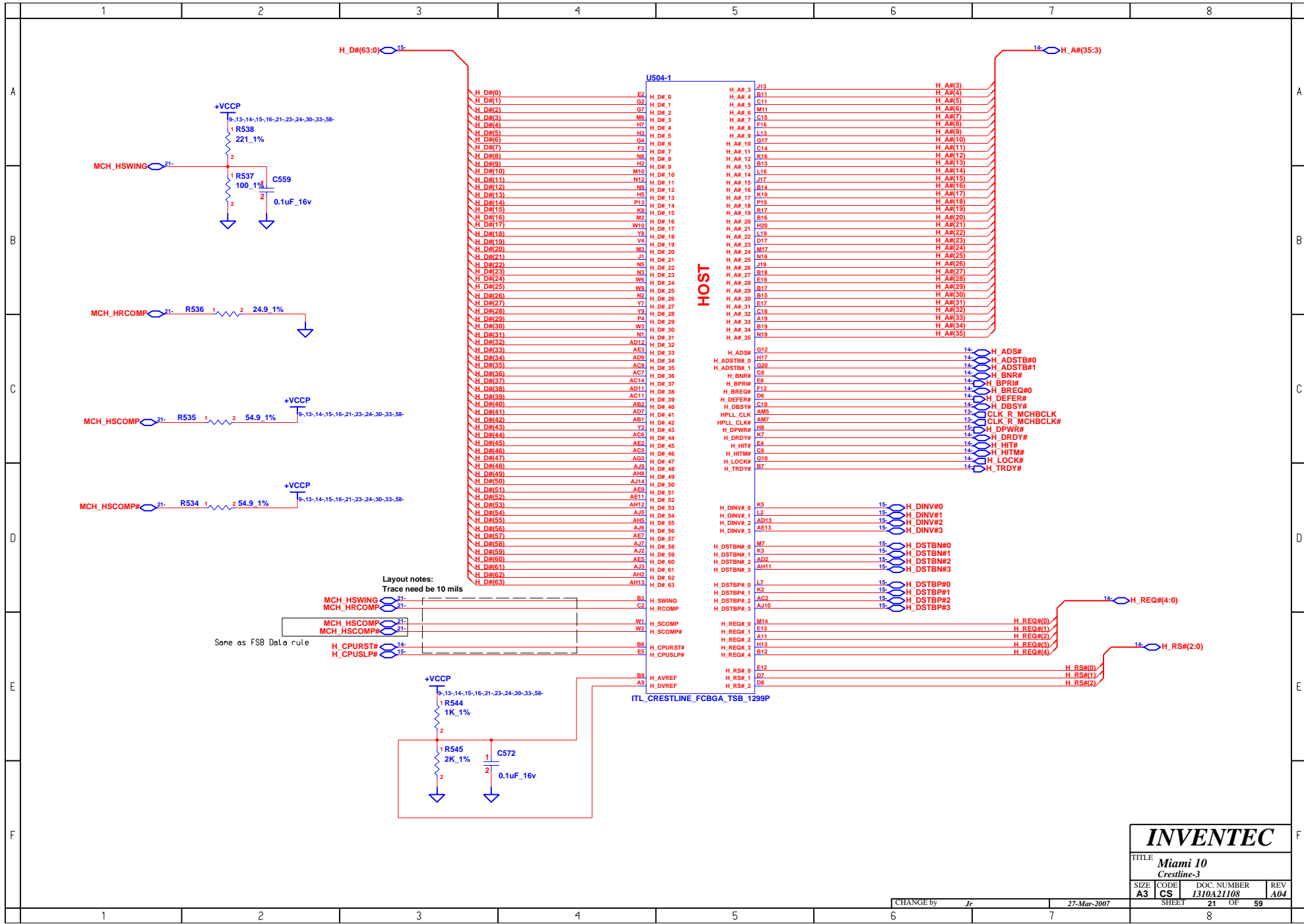
SIZE	CODE	DOC. NUMBER	REV
A3	CS	1310A21108	A04

CHANGE by: Jr 24-Apr-2007

SHEET 19 OF 59



INVENTEC			
TITLE <i>Miami 10 Crestline-2</i>			
SIZE A3	CODE CS	DOC. NUMBER 1310A21108	REV A04
CHANGE by <i>Jr</i>		27-Mar-2007	SHEET 20 OF 59

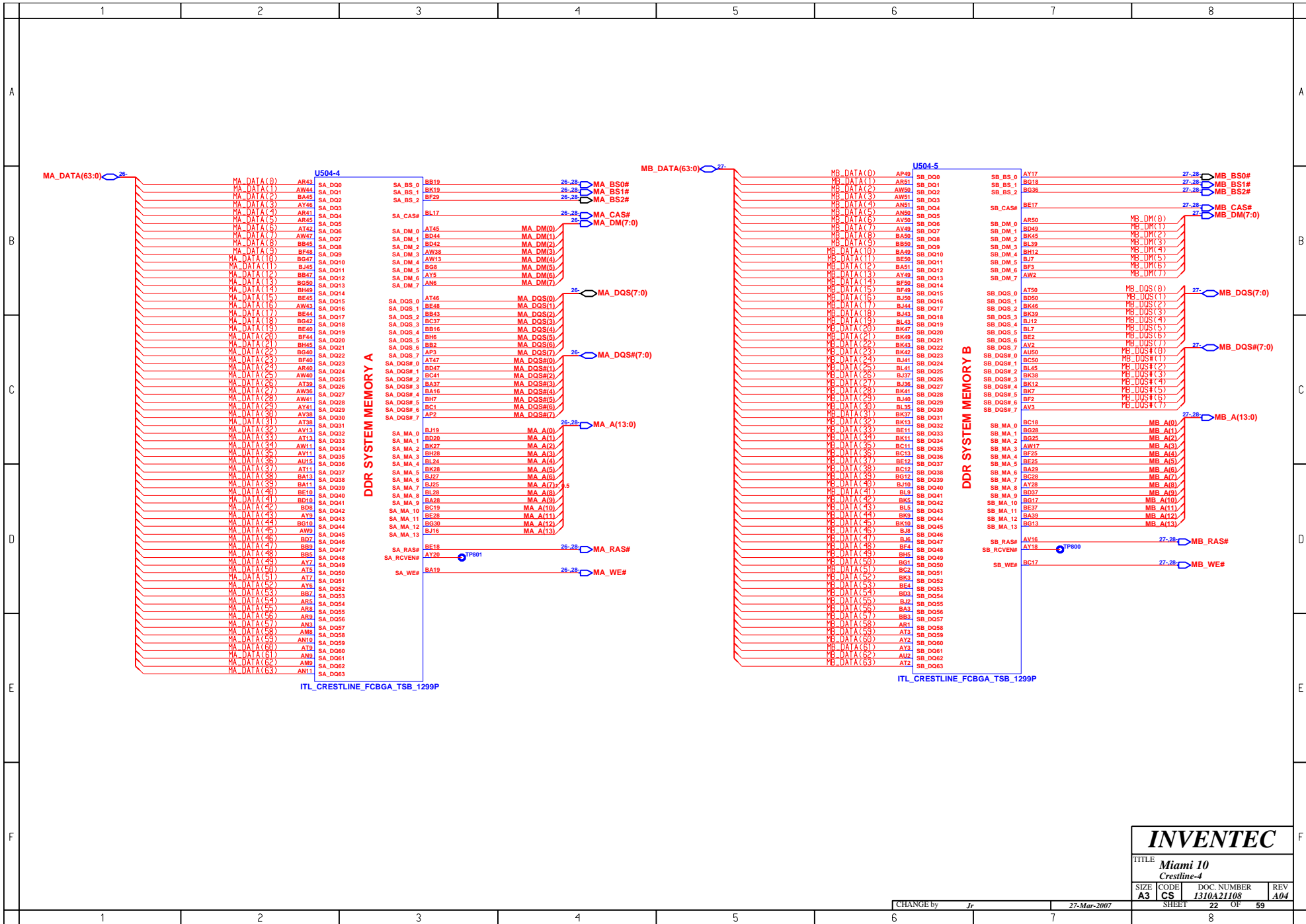


INVENTEC

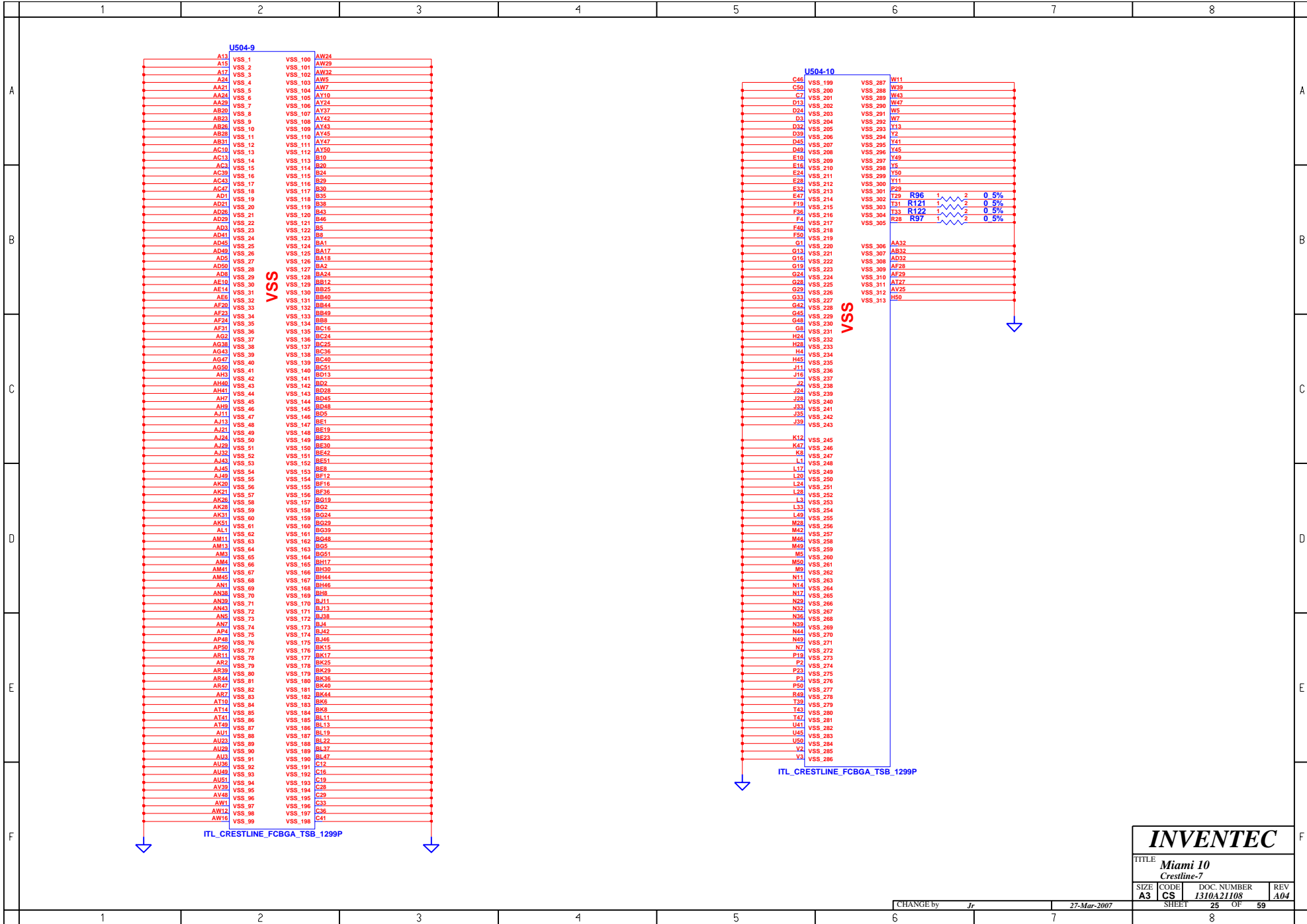
TITLE: **Miami 10**
Crestline-3

SIZE	CODE	DOC. NUMBER	REV
A3	CS	1310A21108	A04

CHANGE by: Jr 27-Mar-2007 SHEET 21 OF 59



INVENTEC			
TITLE <i>Miami 10 Crestline-4</i>			
SIZE A3	CODE CS	DOC. NUMBER <i>1310A21108</i>	REV A04
CHANGE by <i>Jr</i>		DATE <i>27-Mar-2007</i>	
SHEET 22		OF 59	



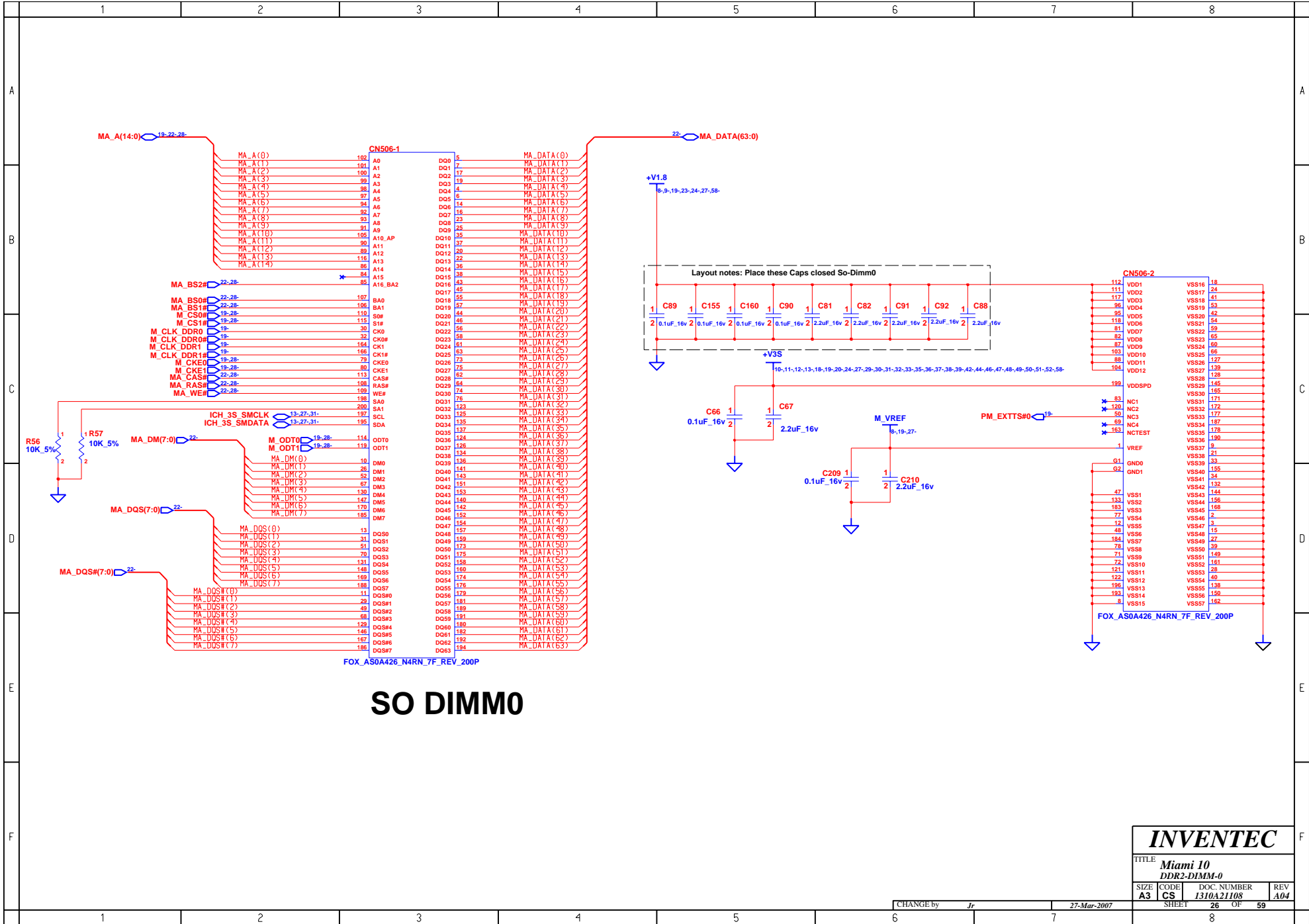
INVENTEC

TITLE
Miami 10
Crestline-7

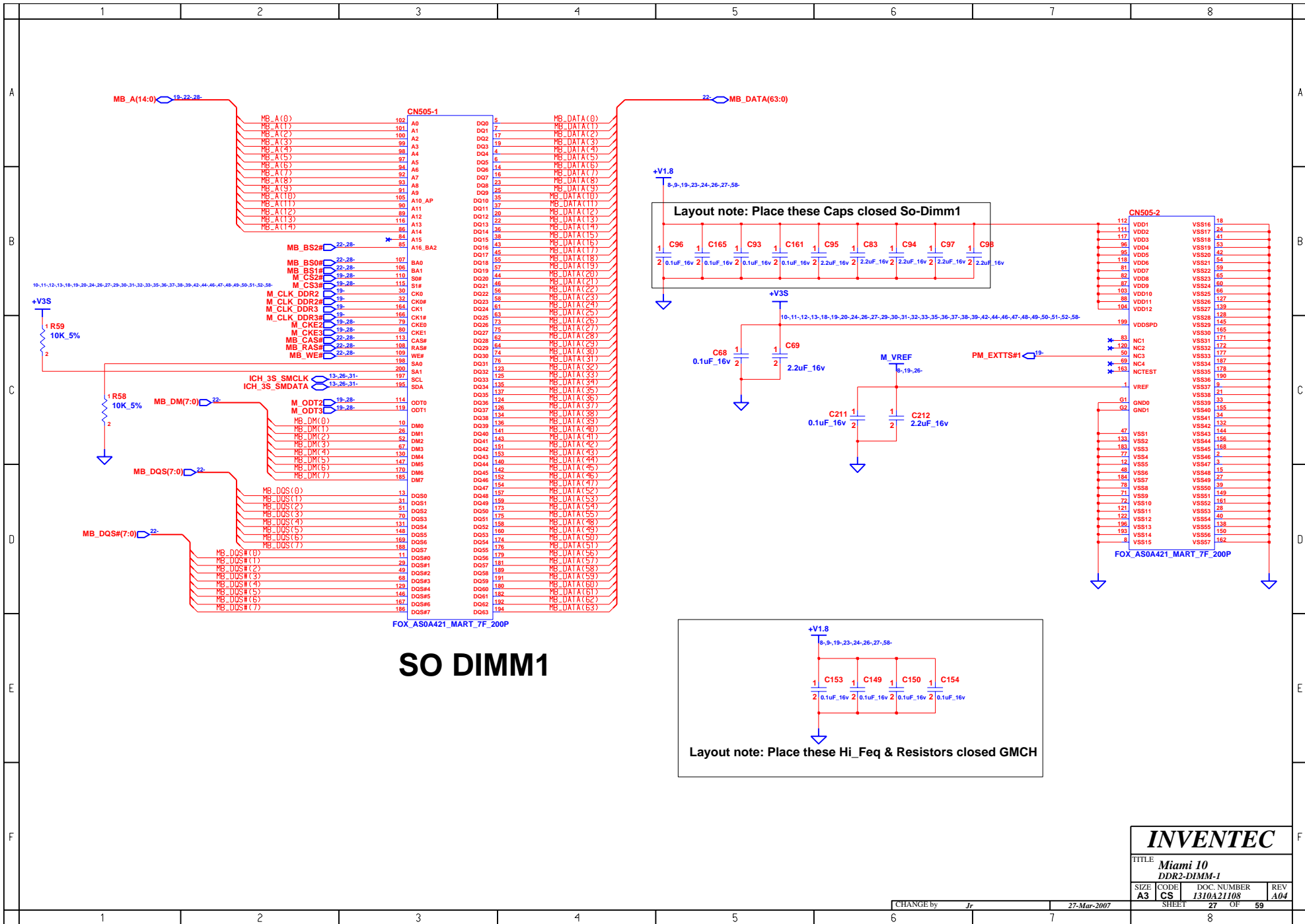
SIZE	CODE	DOC. NUMBER	REV
A3	CS	1310A21108	A04

CHANGE by *Jr* 27-Mar-2007

SHEET 25 OF 59



INVENTEC			
TITLE Miami 10 DDR2-DIMM-0			
SIZE A3	CODE CS	DOC NUMBER 1310A21108	REV A04
CHANGE by <i>Jr</i>		27-Mar-2007	
SHEET 26		OF 59	
1		8	



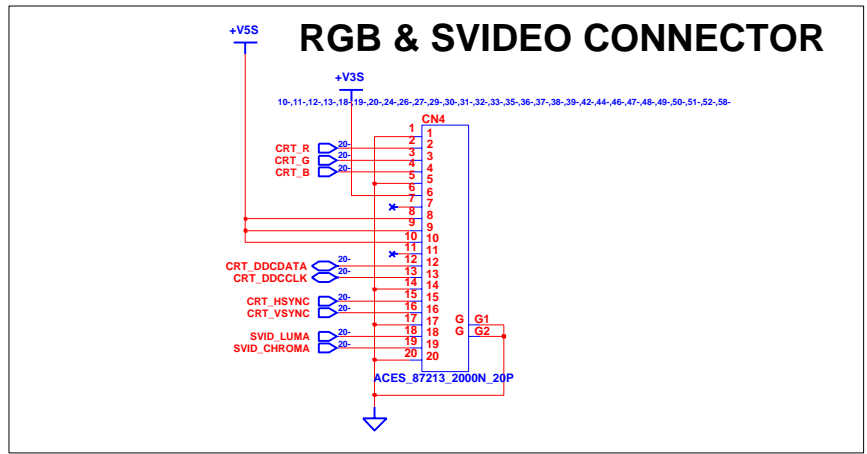
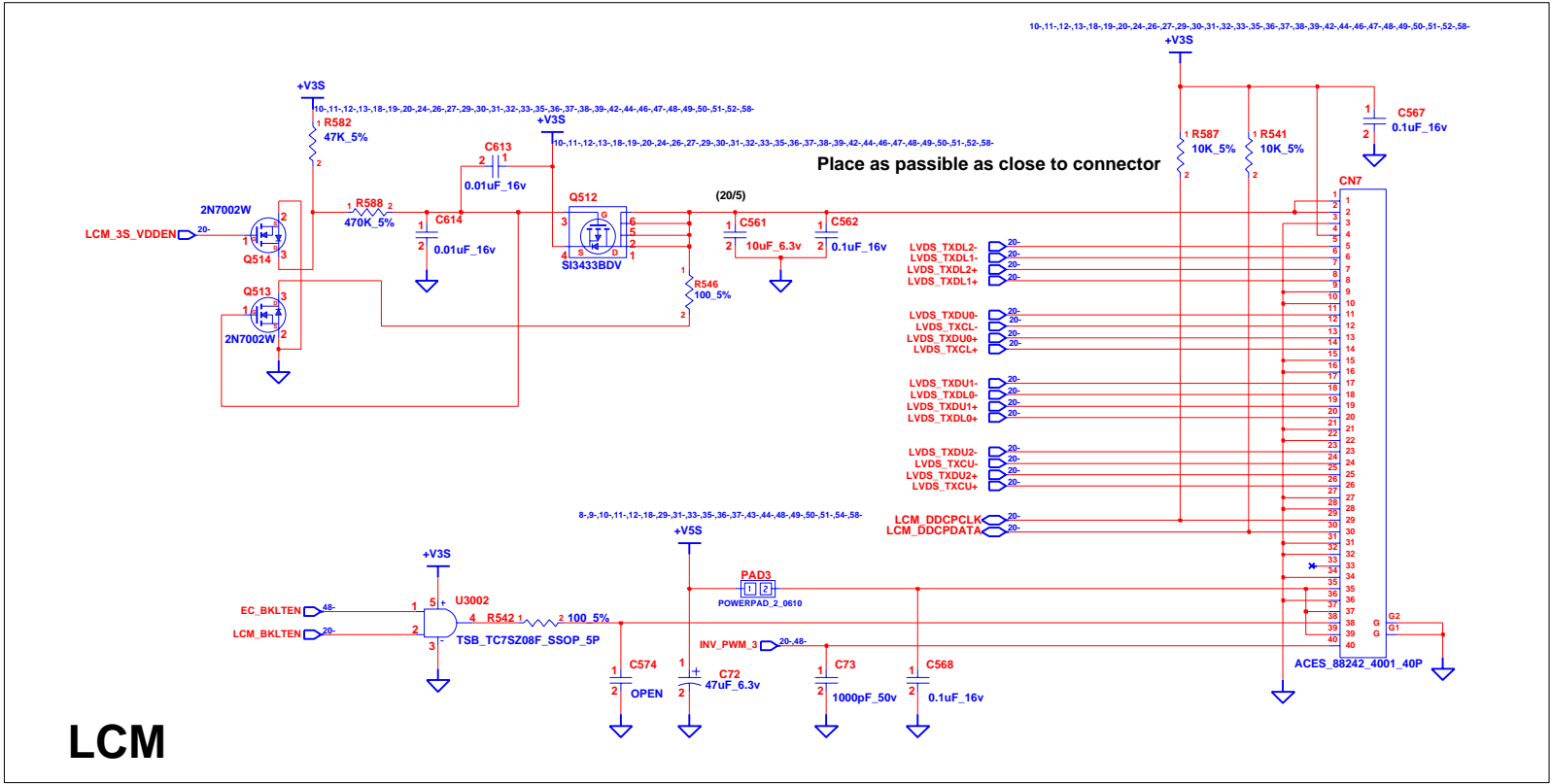
INVENTEC			
TITLE: Miami 10			
DDR2-DIMM-1			
SIZE	CODE	DOC. NUMBER	REV
A3	CS	1310A21108	A04
CHANGE by		Jr	27-Mar-2007
SHEET		27	OF 59



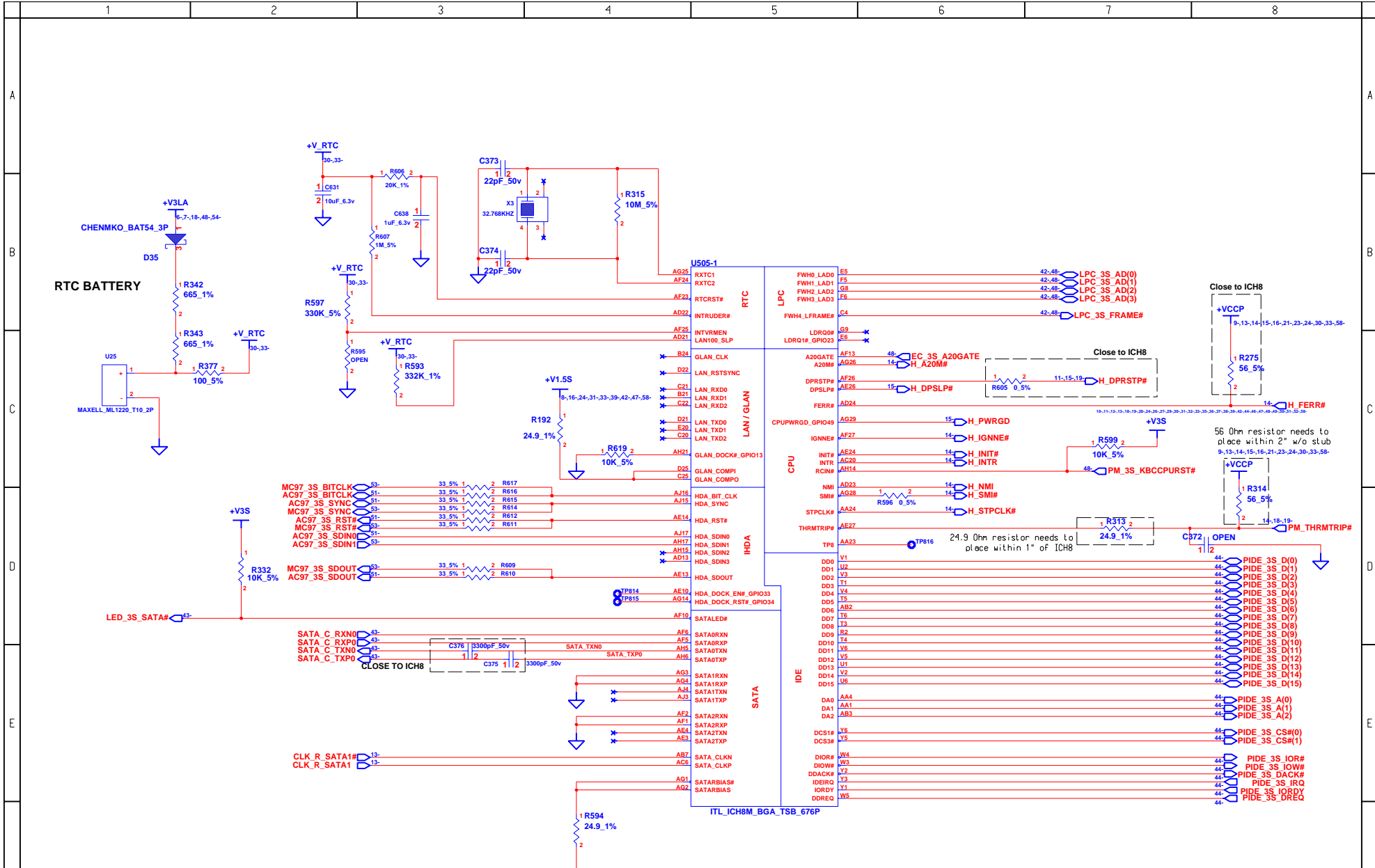
LAYOUT NOTES : PLACE ONE CAP CLOSE TO EVERY 2 PULL UP RESISTOR TERMINATED TO +V0.9S

INVENTEC

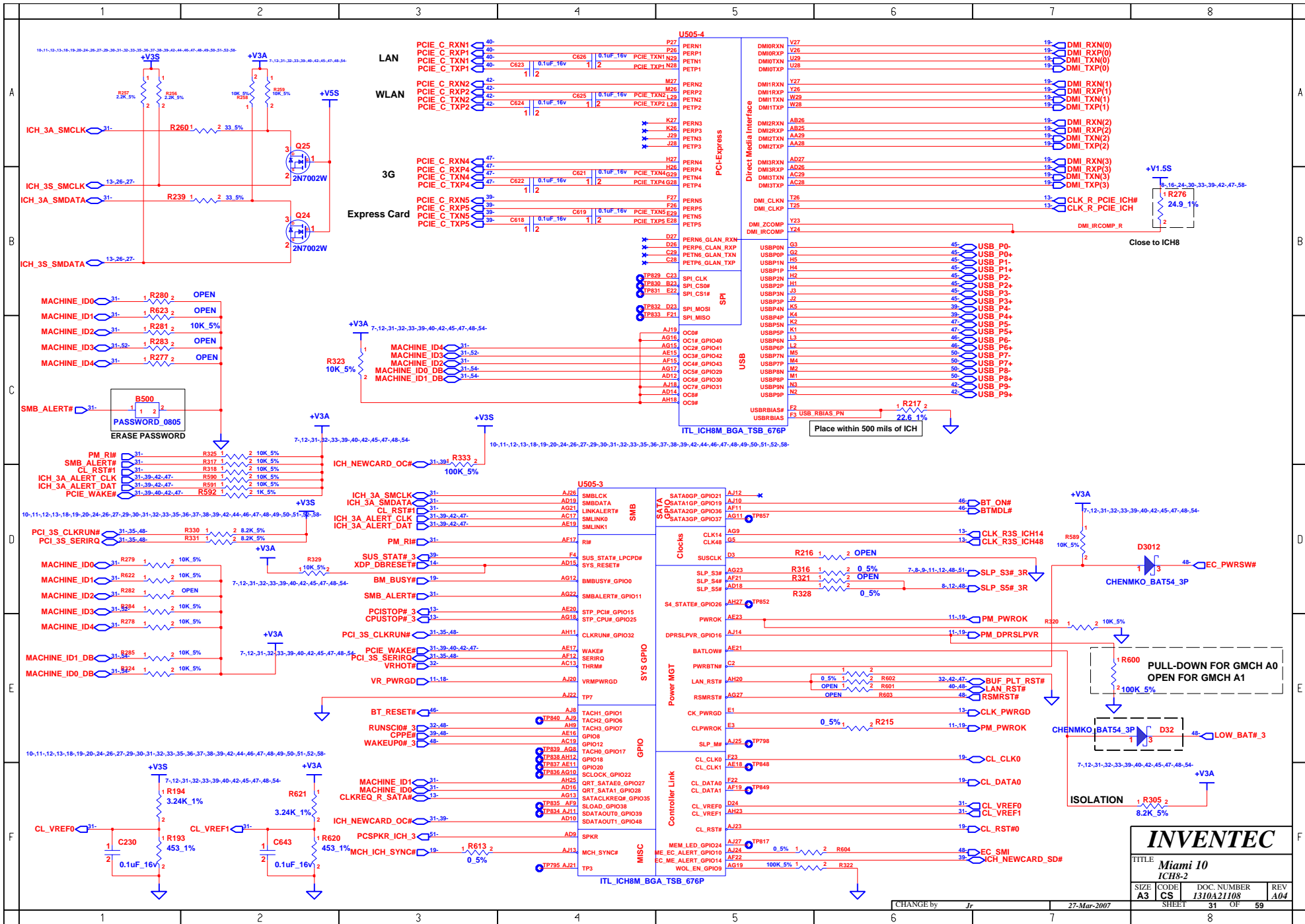
TITLE			
Miami 10			
DDR2-DAMPING			
SIZE	CODE	DOC. NUMBER	REV
A3	CS	1310A21108	A04



INVENTEC			
TITLE Miami 10			
LCM			
SIZE A3	CODE CS	DOC. NUMBER 1310A21108	REV A04
CHANGE by Jr		27-Sep-2003	SHEET 29 OF 59



INVENTEC			
TITLE Miami 10 ICH8-1			
SIZE A3	CODE CS	DOC. NUMBER I310A21108	REV A04
CHANGE by <i>Jr</i>		27-Mar-2007	
SHEET 30		OF 59	



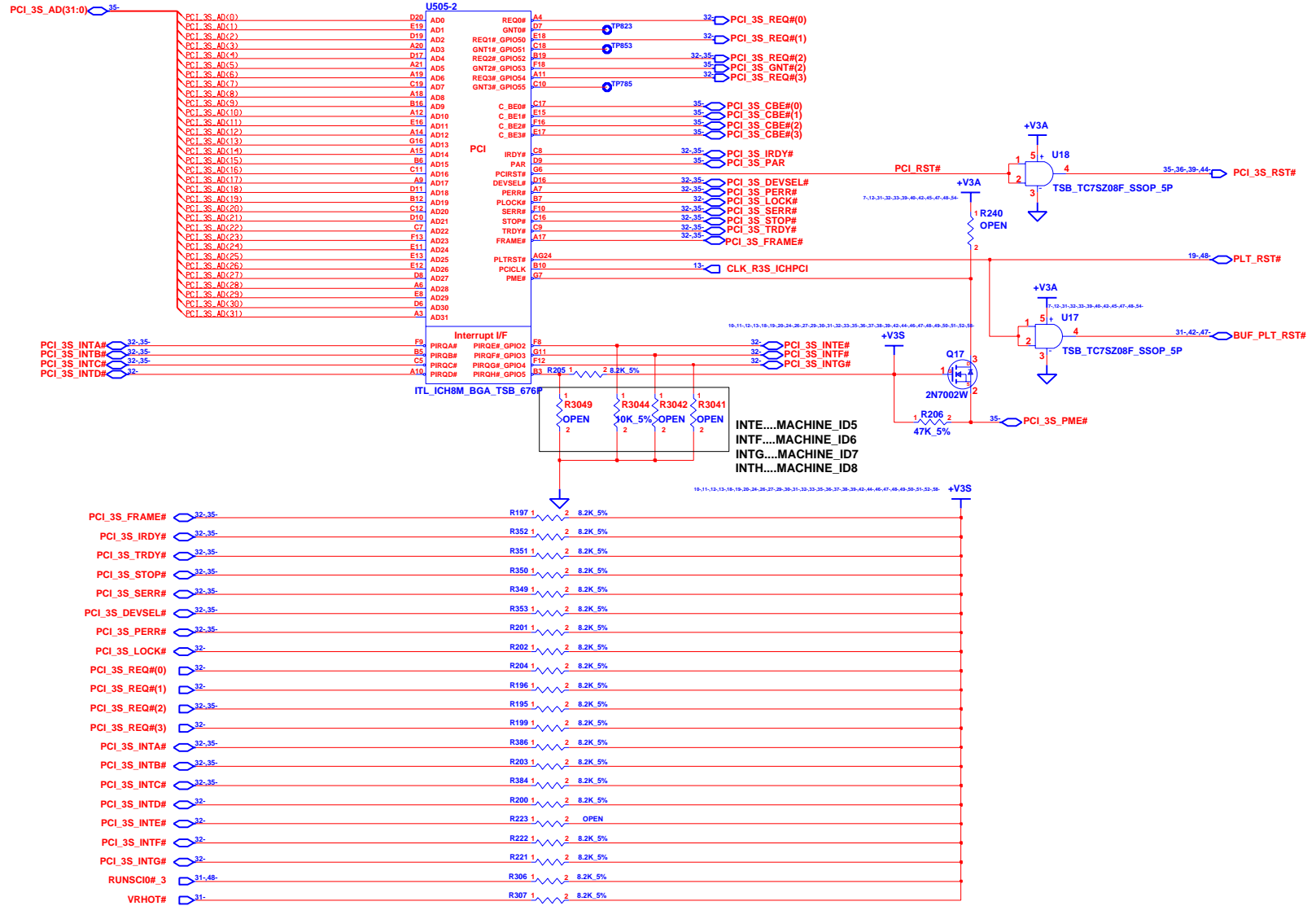
INVENTEC

TITLE: **Miami 10 ICH8-2**

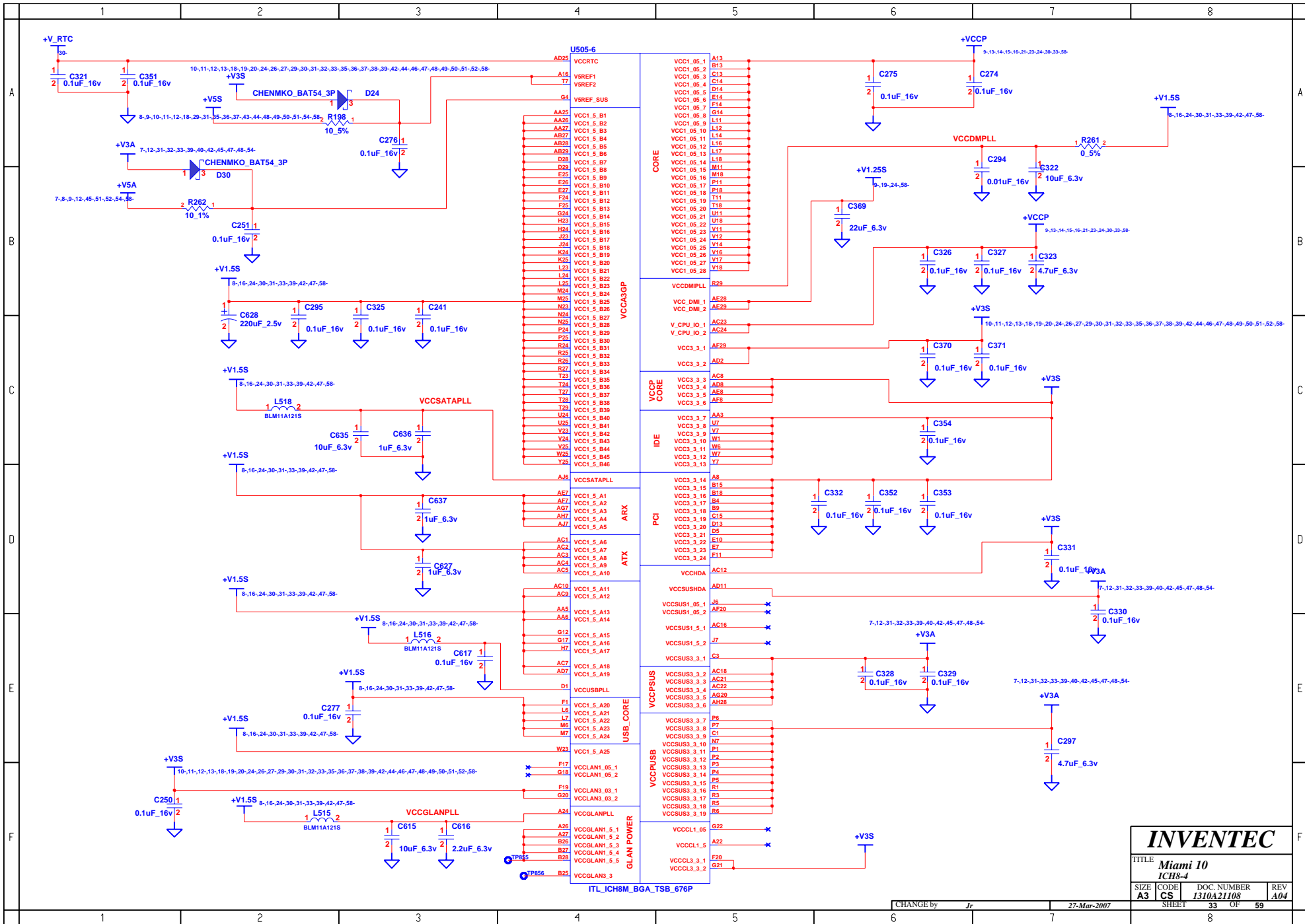
SIZE	CODE	DOC. NUMBER	REV
A3	CS	1310A21108	A04
SHEET		31	OF 59

CHANGE by: Jr 27-Mar-2007

Boot BIOS from SPI
 GNT0# = 0
 SPI_CS1# = 1



INVENTEC			
TITLE Miami 10			
IC18-3			
SIZE A3	CODE CS	DOC. NUMBER 1310A21108	REV A04
CHANGE by <i>Jr</i>		27-Mar-2007	
SHEET 32		OF 59	



INVENTEC			
TITLE Miami 10 ICH8-4			
SIZE A3	CODE CS	DOC. NUMBER 1310A21108	REV A04
CHANGE by <i>Jr</i>		27-Mar-2007	SHEET 33 OF 59

	1	2	3	4	5	6	7	8	
A									A
B									B
C									C
D									D
E									E
F									F

U505-5

A23	VSS001	VSS009	K7
A5	VSS002	VSS100	L1
AA2	VSS003	VSS101	L13
AAZ	VSS004	VSS102	L15
AAZ	VSS005	VSS103	L26
AB1	VSS006	VSS104	L27
AB24	VSS007	VSS105	L4
AC11	VSS008	VSS106	L5
AC14	VSS009	VSS107	M12
AC25	VSS010	VSS108	M13
AC26	VSS011	VSS109	M14
AC27	VSS012	VSS110	M15
AD17	VSS013	VSS111	M16
AD20	VSS014	VSS112	M17
AD28	VSS015	VSS113	M23
AD29	VSS016	VSS114	M28
AD3	VSS017	VSS115	M29
AD4	VSS018	VSS116	M3
AD6	VSS019	VSS117	N1
AE1	VSS020	VSS118	N11
AE12	VSS021	VSS119	N12
AE2	VSS022	VSS120	N13
AE22	VSS023	VSS121	N14
AD1	VSS024	VSS122	N15
AE25	VSS025	VSS123	N16
AE5	VSS026	VSS124	N17
AE6	VSS027	VSS125	N18
AE9	VSS028	VSS126	N26
AF14	VSS029	VSS127	N27
AF16	VSS030	VSS128	N4
AF18	VSS031	VSS129	N5
AF3	VSS032	VSS130	N6
AF4	VSS033	VSS131	P12
AG5	VSS034	VSS132	P13
AG6	VSS035	VSS133	P14
AH10	VSS036	VSS134	P15
AH13	VSS037	VSS135	P16
AH16	VSS038	VSS136	P17
AH19	VSS039	VSS137	P23
AH2	VSS040	VSS138	P28
AF28	VSS041	VSS139	P29
AH22	VSS042	VSS140	R11
AH24	VSS043	VSS141	R12
AH26	VSS044	VSS142	R13
AH3	VSS045	VSS143	R14
AH4	VSS046	VSS144	R15
AH8	VSS047	VSS145	R16
AJ5	VSS048	VSS146	R17
B11	VSS049	VSS147	R18
B14	VSS050	VSS148	R28
B17	VSS051	VSS149	R4
B2	VSS052	VSS150	T12
B20	VSS053	VSS151	T13
B22	VSS054	VSS152	T14
BB	VSS055	VSS153	T15
C24	VSS056	VSS154	T16
C26	VSS057	VSS155	T17
C27	VSS058	VSS156	T2
C6	VSS059	VSS157	U12
D12	VSS060	VSS158	U13
D15	VSS061	VSS159	U14
D18	VSS062	VSS160	U15
D2	VSS063	VSS161	U16
D4	VSS064	VSS162	U17
E1	VSS065	VSS163	U23
E24	VSS066	VSS164	U26
E4	VSS067	VSS165	U27
E9	VSS068	VSS166	U3
F16	VSS069	VSS167	U8
E23	VSS070	VSS168	V13
F28	VSS071	VSS169	V15
F29	VSS072	VSS170	V28
F7	VSS073	VSS171	V29
G1	VSS074	VSS172	W2
E2	VSS075	VSS173	W26
G10	VSS076	VSS174	W27
G13	VSS077	VSS175	V28
G19	VSS078	VSS176	V29
G23	VSS079	VSS177	Y4
G25	VSS080	VSS178	AB4
G26	VSS081	VSS179	AB23
G27	VSS082	VSS180	AB5
H25	VSS083	VSS181	AB6
H28	VSS084	VSS182	AD5
H29	VSS085	VSS183	U4
H3	VSS086	VSS184	W24
H6	VSS087	VSS NCTF. 01	A1
J1	VSS088	VSS NCTF. 02	A2
J6	VSS089	VSS NCTF. 03	A28
J26	VSS090	VSS NCTF. 04	A29
J27	VSS091	VSS NCTF. 05	AH1
J6	VSS092	VSS NCTF. 06	AH29
J5	VSS093	VSS NCTF. 07	AJ1
K23	VSS094	VSS NCTF. 08	AJ2
K28	VSS095	VSS NCTF. 09	AJ28
K28	VSS096	VSS NCTF. 010	AJ29
K3	VSS097	VSS NCTF. 011	B1
K6	VSS098	VSS NCTF. 012	B29

ITL_ICH8M_BGA_TSB_676P

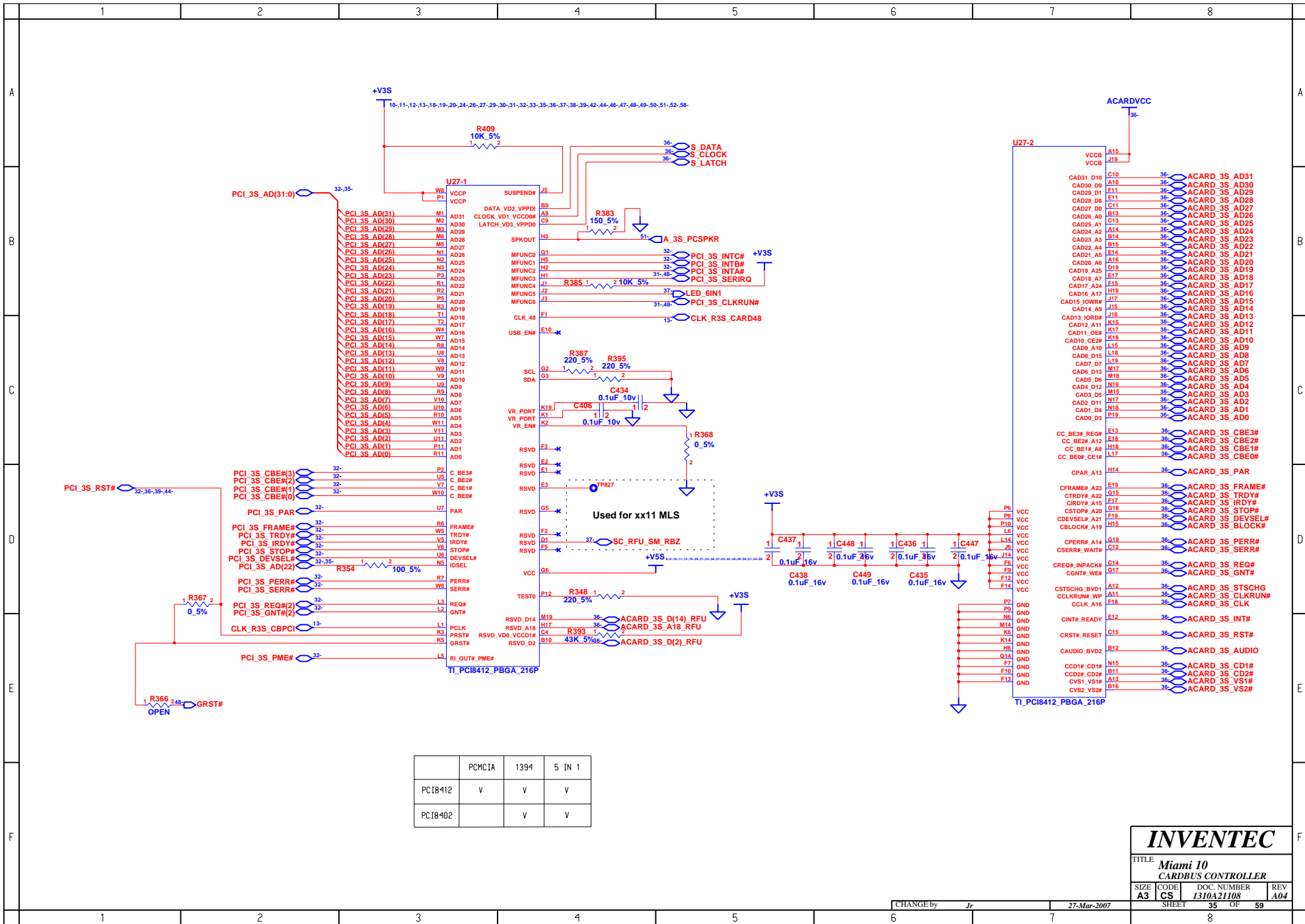
INVENTEC

TITLE **Miami 10**
ICH8-5

SIZE	CODE	DOC. NUMBER	REV
A3	CS	1310A21108	A04

SHEET 34 OF 59

	1	2	3	4	5	6	7	8	
--	---	---	---	---	---	---	---	---	--

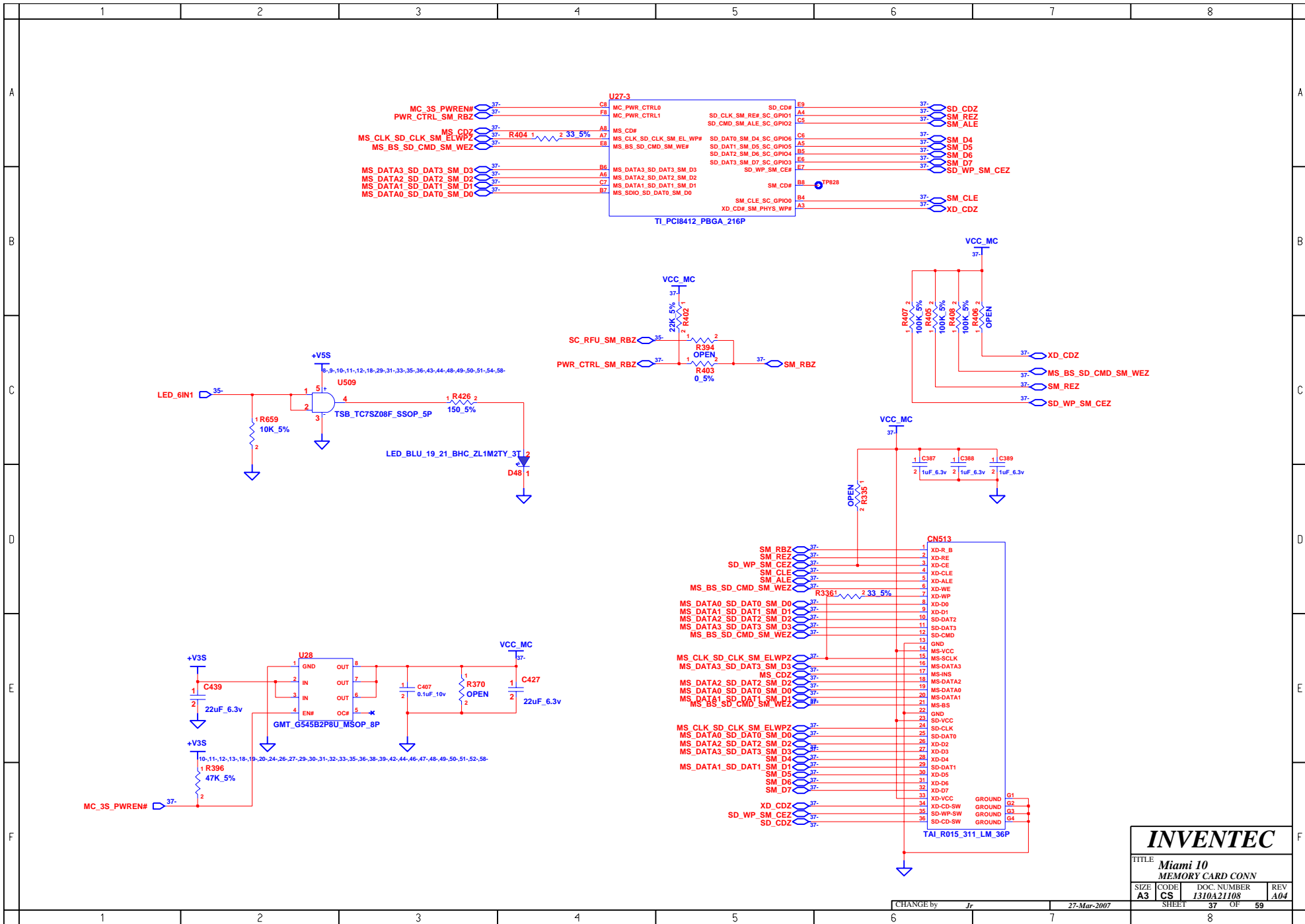


INVENTEC

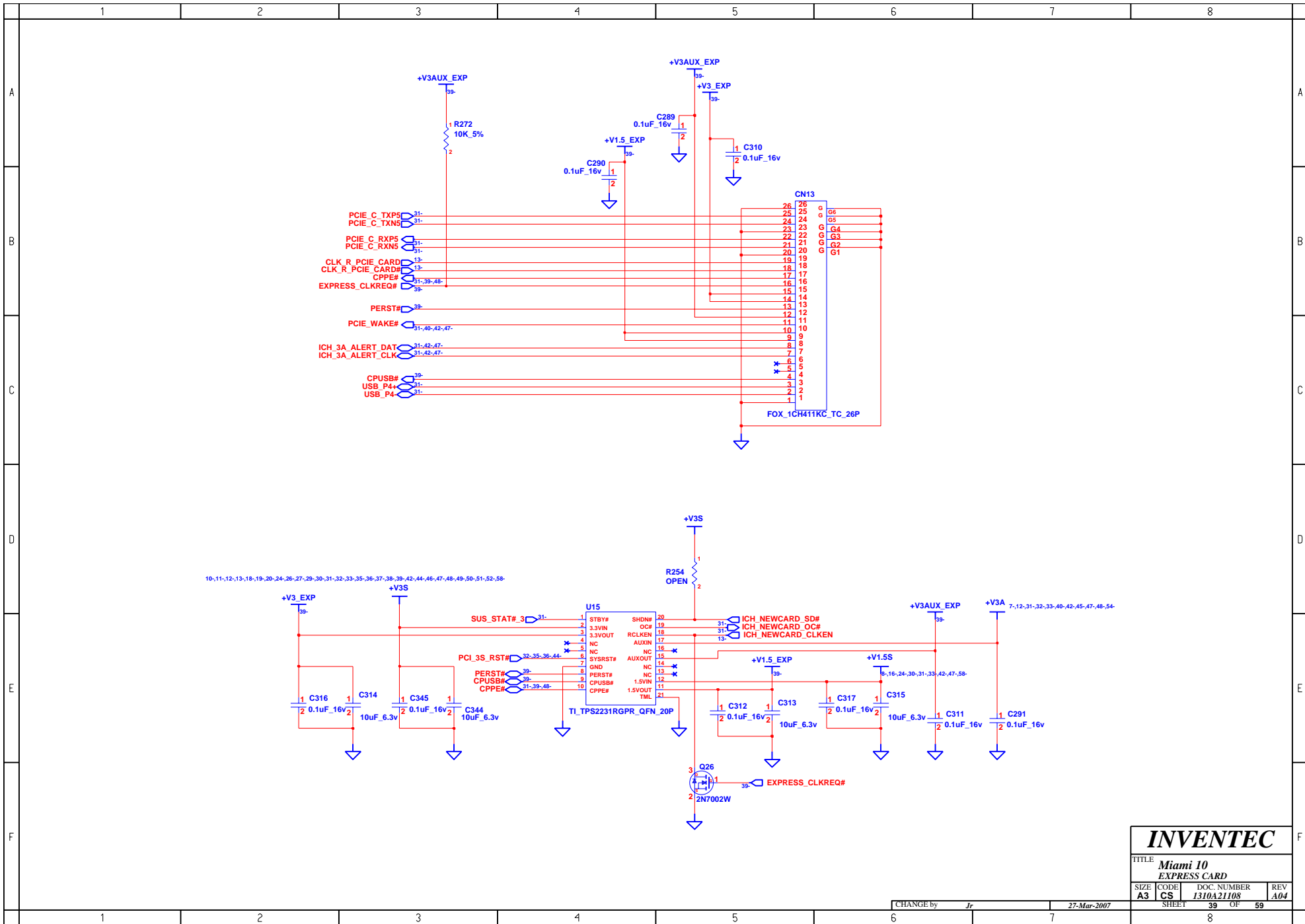
TITLE
Miami 10
CARBUS CONTROLLER

SIZE CODE DOC. NUMBER REV
A3 CS 1310A21108 A04

CHANGE by *Jr* 27-Mar-2007 SHEET 35 OF 59



INVENTEC			
TITLE Miami 10 MEMORY CARD CONN			
SIZE A3	CODE CS	DOC. NUMBER 1310A21108	REV A04
CHANGE by <i>Jr</i>		27-Mar-2007	
SHEET 37		OF 59	

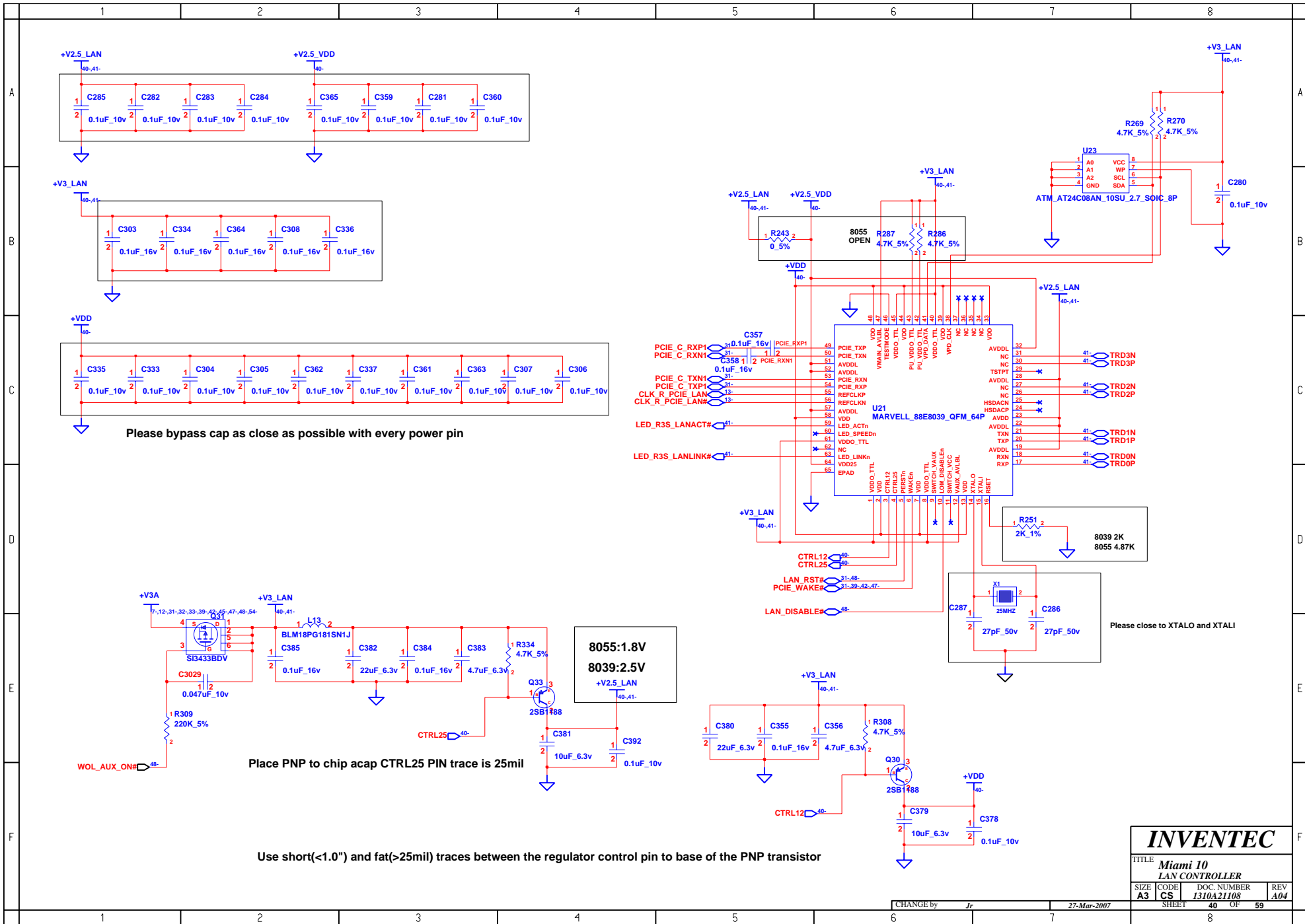


INVENTEC

TITLE		
Miami 10 EXPRESS CARD		
SIZE	CODE	DOC. NUMBER
A3	CS	1310A21108
SHEET		REV
39		A04

CHANGE by Jr 27-Mar-2007

OF 59



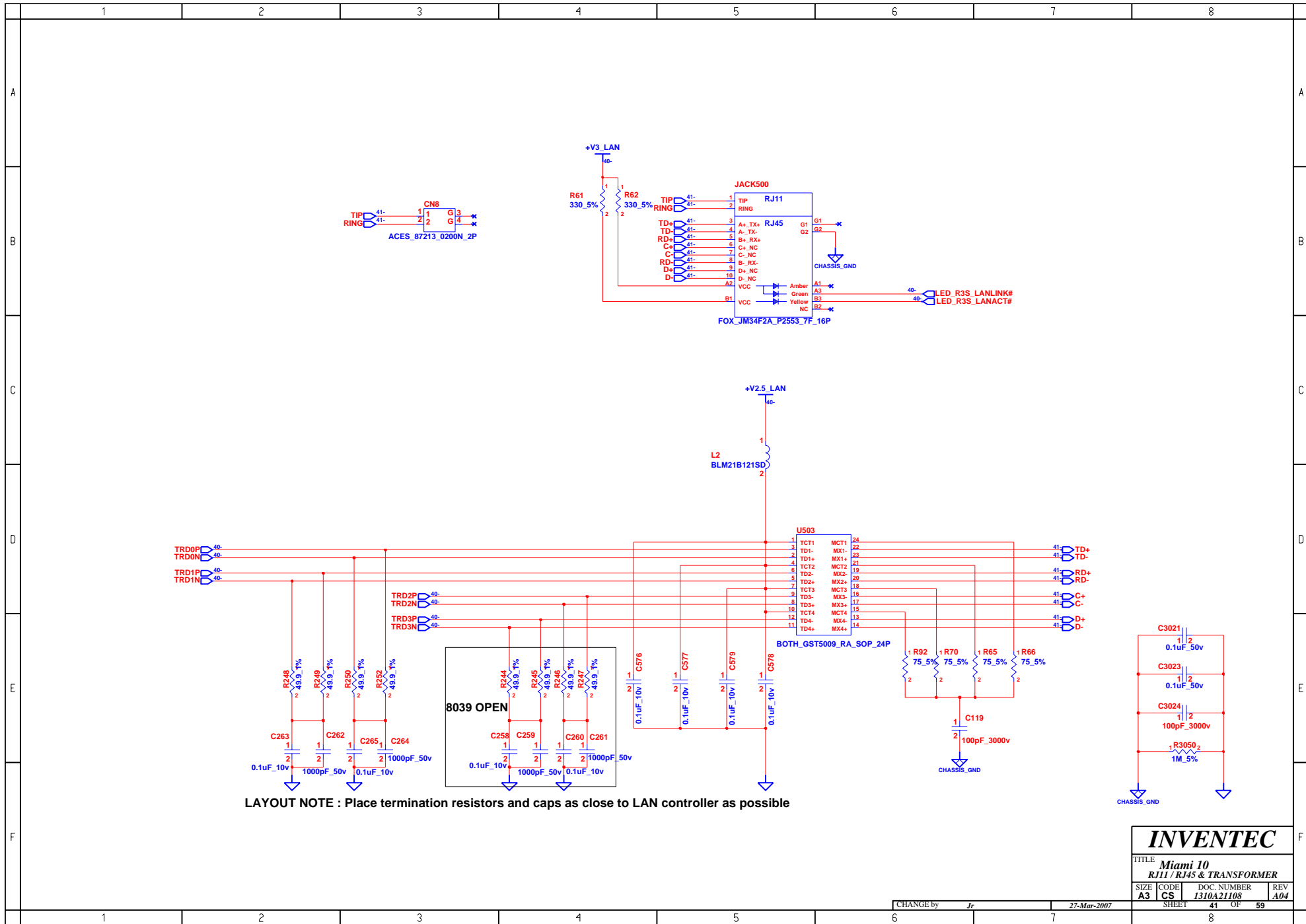
Please bypass cap as close as possible with every power pin

Place PNP to chip acap CTRL25 PIN trace is 25mil

Use short(<1.0") and fat(>25mil) traces between the regulator control pin to base of the PNP transistor

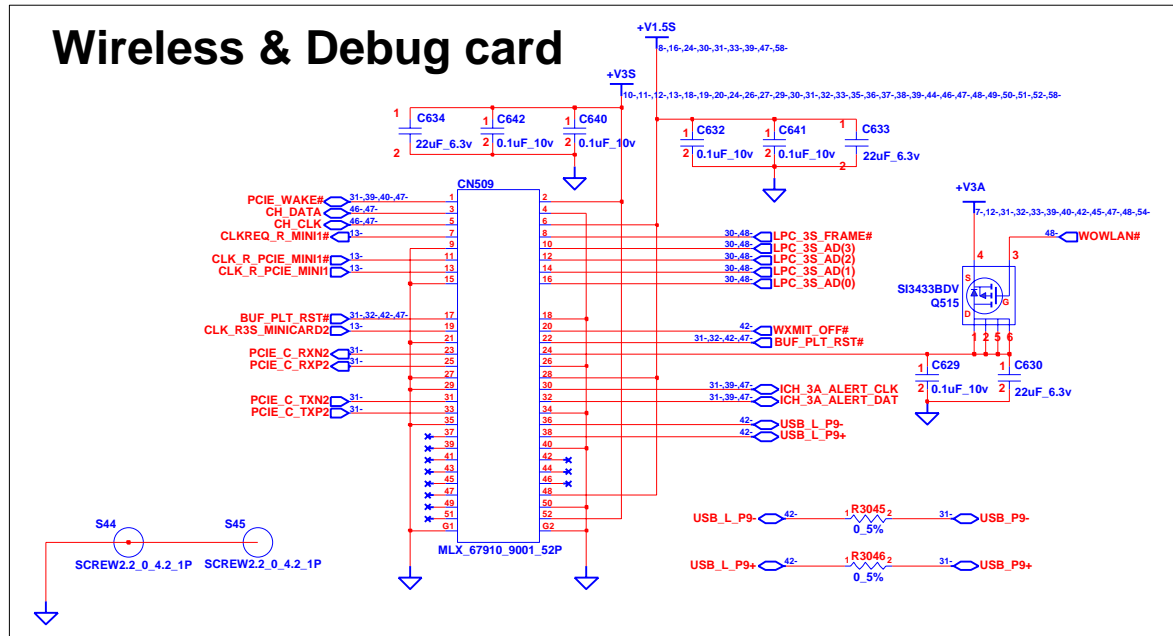
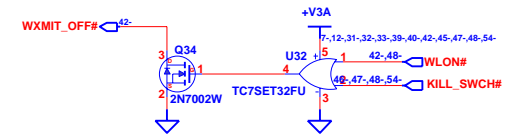
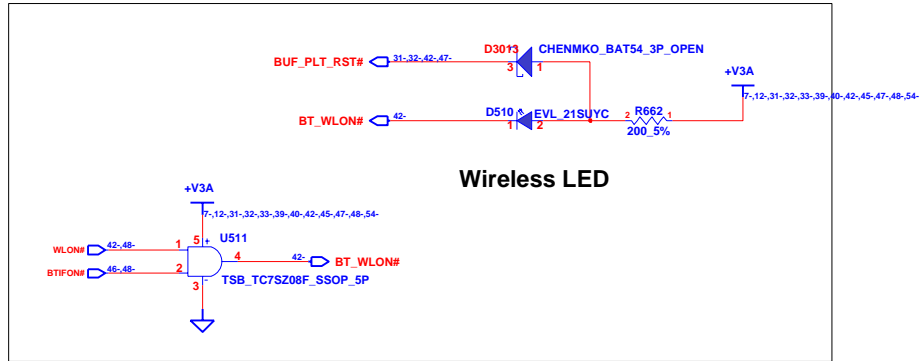
Please close to XTALO and XTALI

INVENTEC			
TITLE Miami 10 LAN CONTROLLER			
SIZE A3	CODE CS	DOC. NUMBER 1310A21108	REV A04
CHANGE by <i>Jr</i>		27-Mar-2007	
SHEET 40		OF 59	

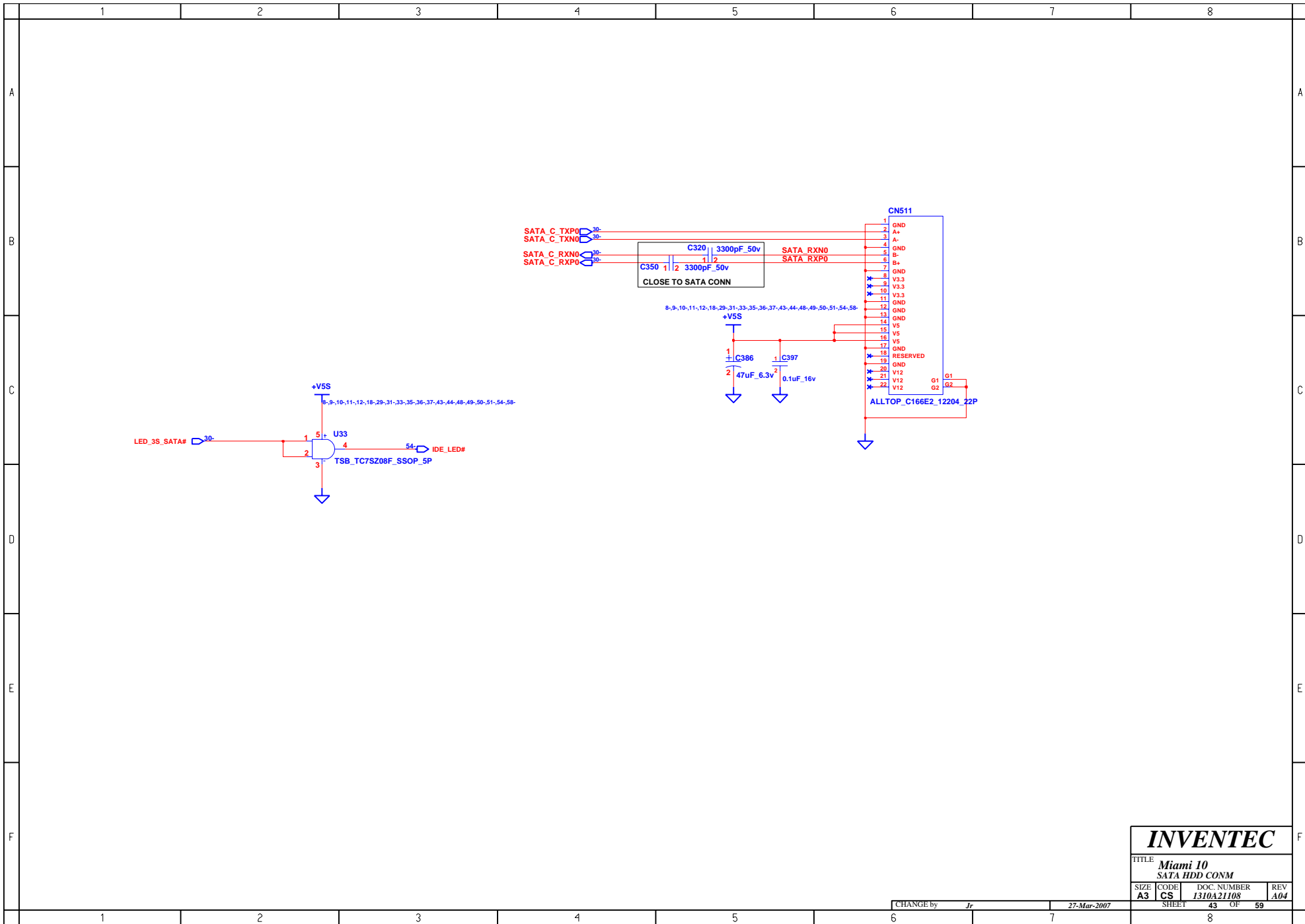


LAYOUT NOTE : Place termination resistors and caps as close to LAN controller as possible

INVENTEC			
TITLE <i>Miami 10</i> RJ11 / RJ45 & TRANSFORMER			
SIZE A3	CODE CS	DOC. NUMBER <i>1310A21108</i>	REV <i>A04</i>
CHANGE by <i>Jr</i>		27-Mar-2007	
SHEET 41		OF 59	



INVENTEC			
TITLE <i>Miami 10</i> Wireless LAN			
SIZE A3	CODE CS	DOC. NUMBER <i>1310A21108</i>	REV A04
CHANGE by <i>Jr</i>		27-Mar-2007	
SHEET 42		OF 59	

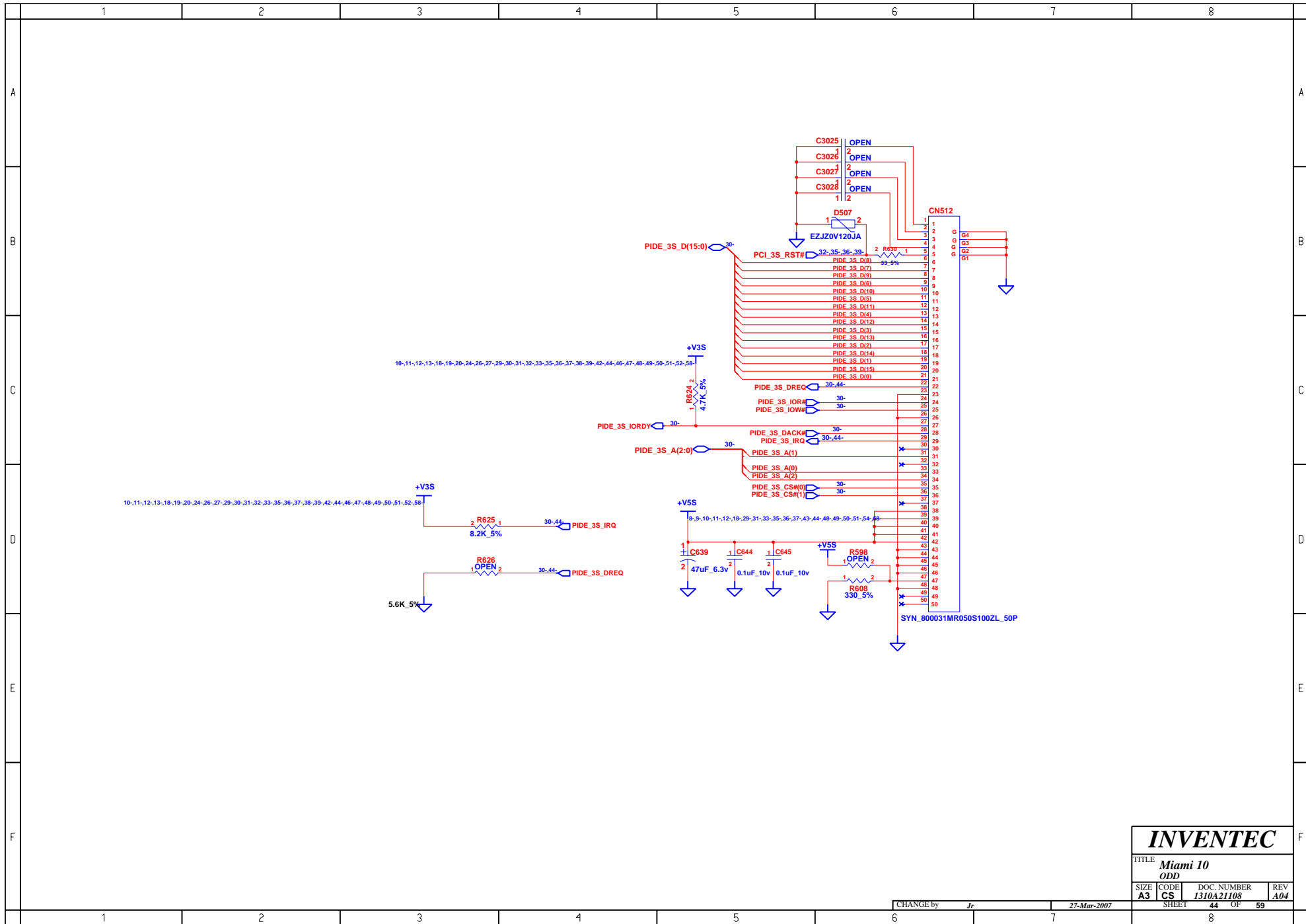


INVENTEC

TITLE			
Miami 10			
SATA HDD CONM			
SIZE	CODE	DOC. NUMBER	REV
A3	CS	1310A21108	A04

CHANGE by *Jr* 27-Mar-2007

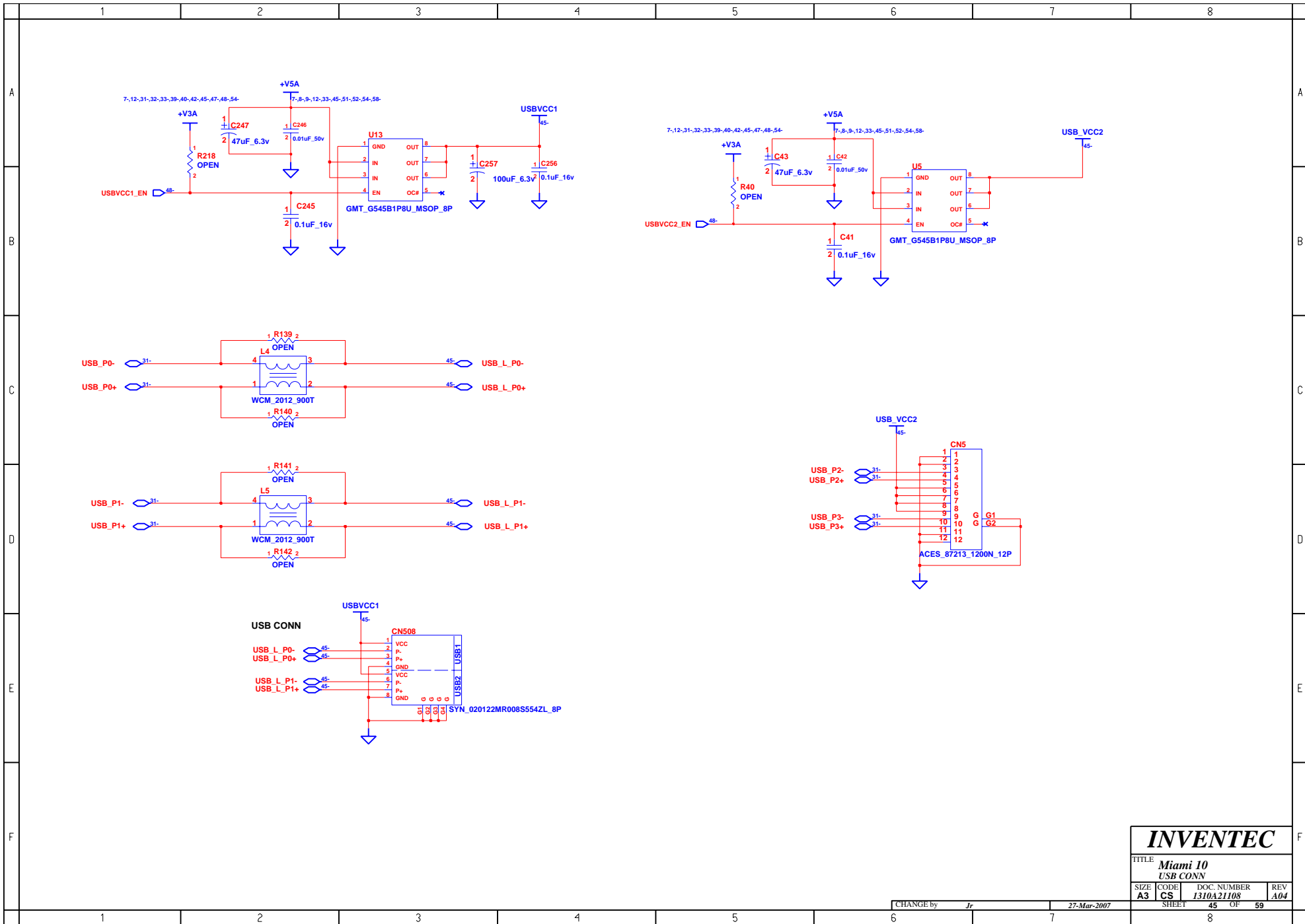
SHEET 43 OF 59



INVENTEC

TITLE			
Miami 10			
ODD			
SIZE	CODE	DOC. NUMBER	REV
A3	CS	I310A21108	A04

CHANGE by	Jr	27-Mar-2007	SHEET	44	OF	59
-----------	----	-------------	-------	----	----	----



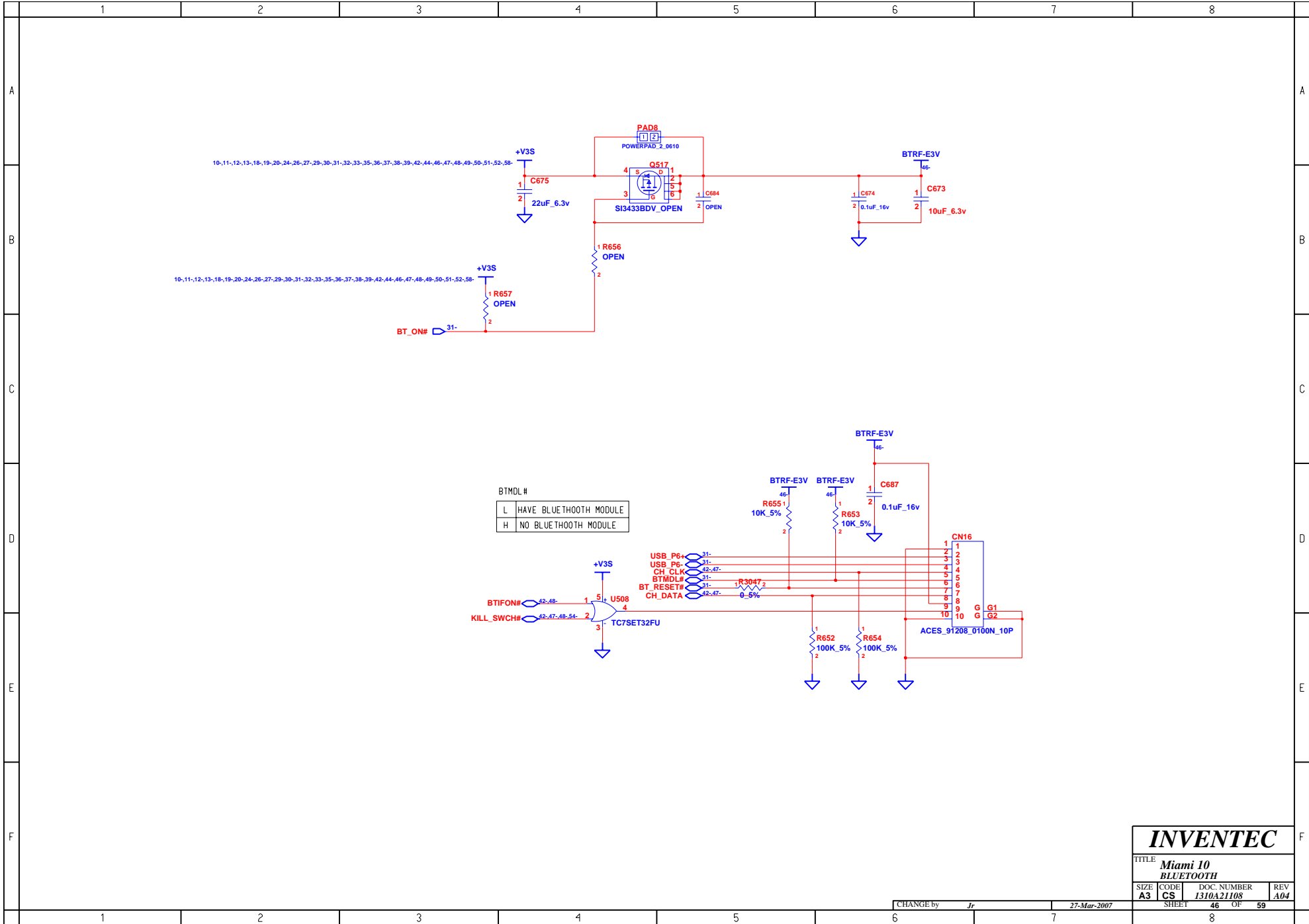
INVENTEC

TITLE
Miami 10
 USB CONN

SIZE A3	CODE CS	DOC. NUMBER 1310A21108	REV A04
-------------------	-------------------	----------------------------------	-------------------

CHANGE by *Jr* 27-Mar-2007

SHEET 45 OF 59

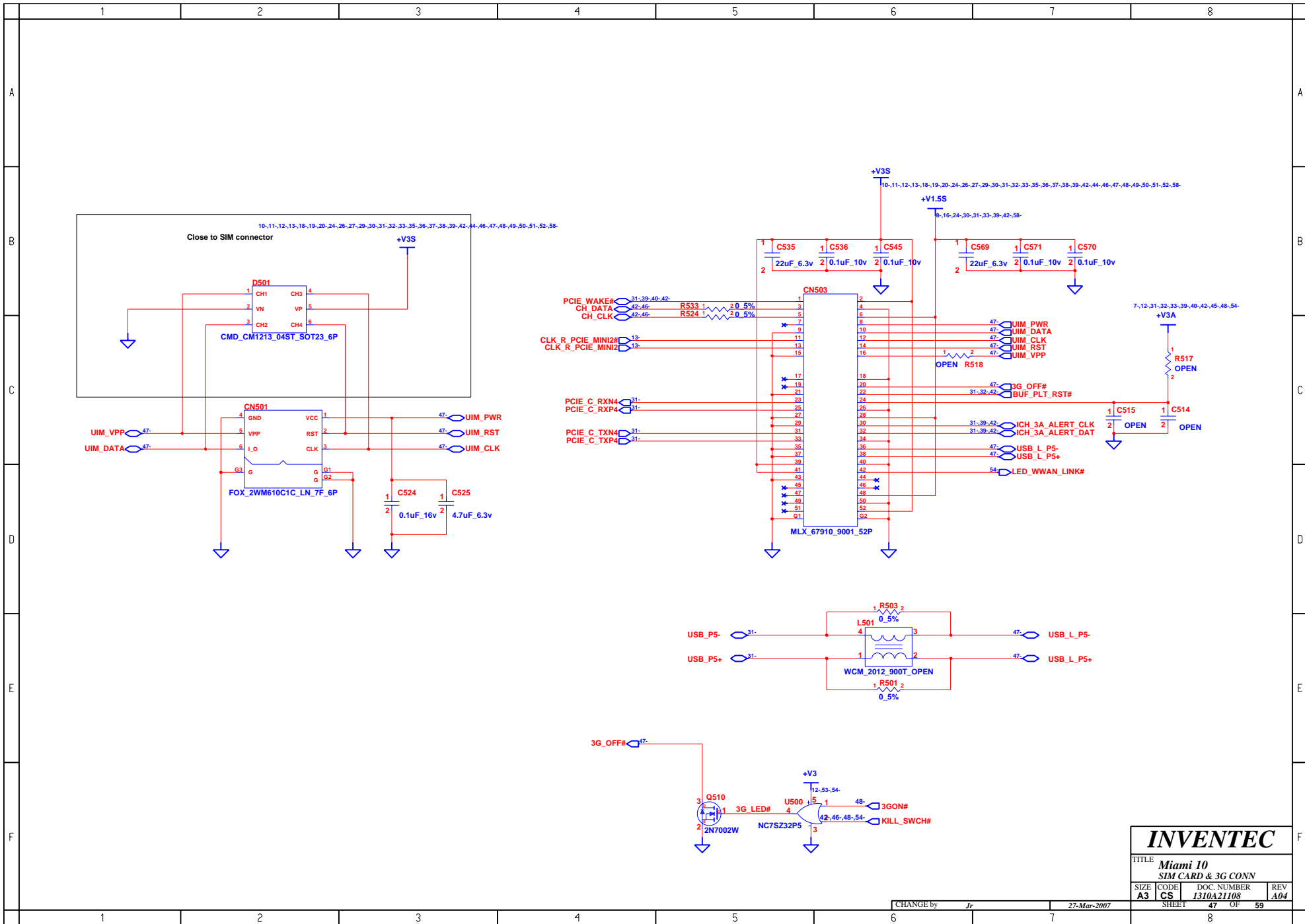


INVENTEC

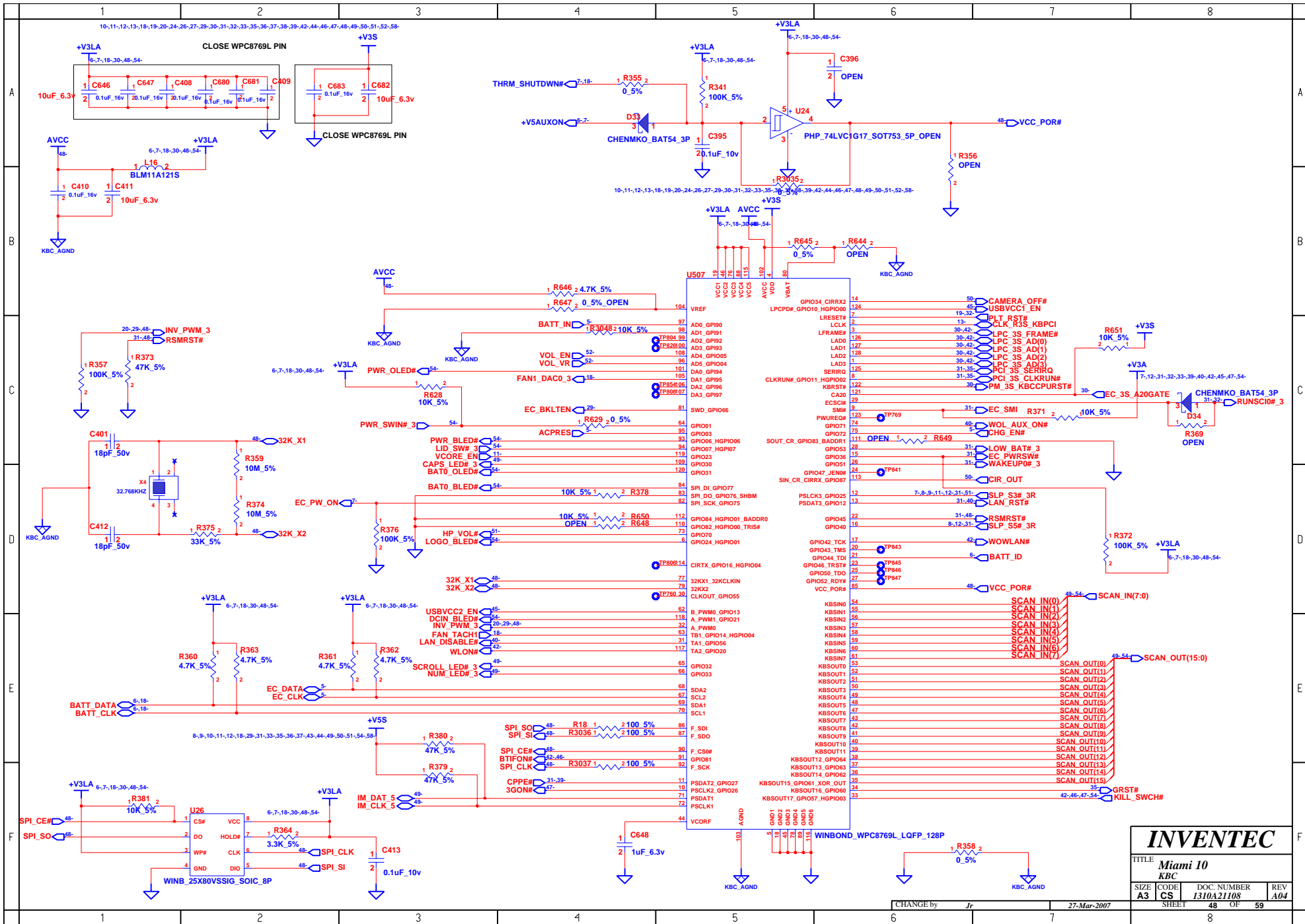
TITLE			
Miami 10 BLUETOOTH			
SIZE	CODE	DOC. NUMBER	REV
A3	CS	1310A21108	A04

CHANGE by Jr 27-Mar-2007

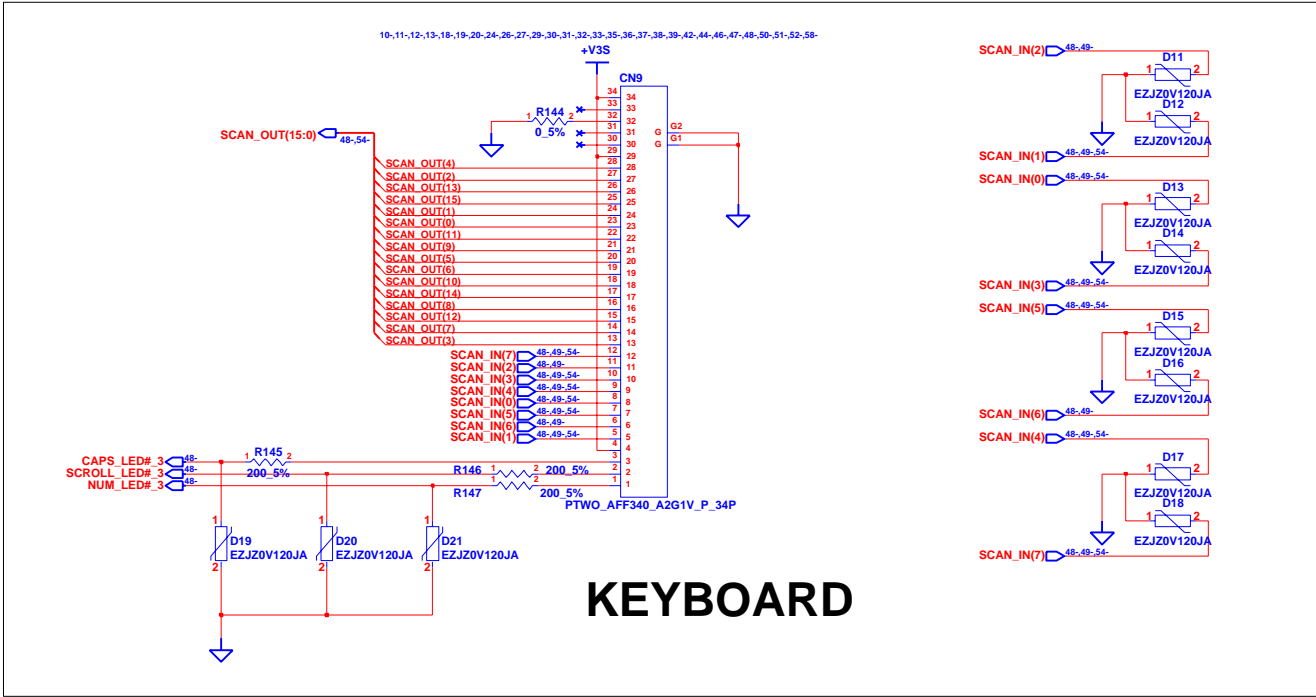
SHEET 46 OF 59



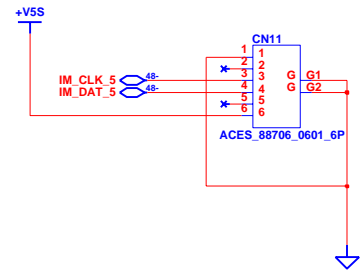
INVENTEC			
TITLE Miami 10 SIM CARD & 3G CONN			
SIZE A3	CODE CS	DOC. NUMBER I310A21108	REV A04
CHANGE by <i>Jr</i>		27-Mar-2007	
SHEET 47		OF 59	



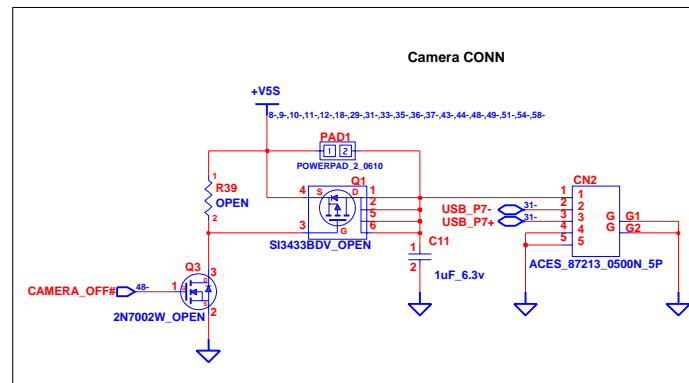
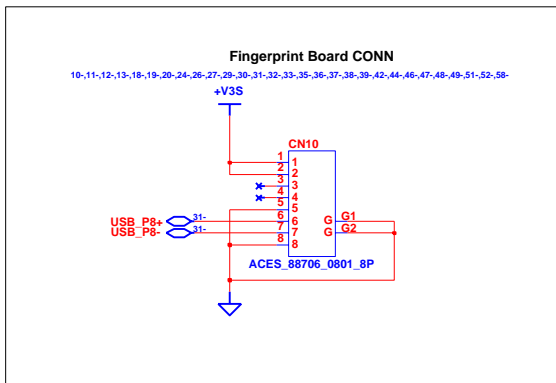
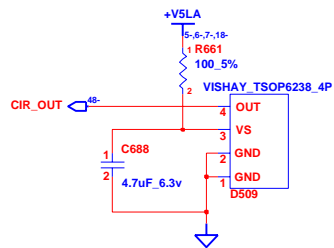
INVENTEC			
TITLE Miami 10			
KBC			
SIZE	CODE	DOC. NUMBER	REV
A3	CS	1310A21108	A04
CHANGE by		Jr	27-Mar-2007
SHEET		48	OF 59



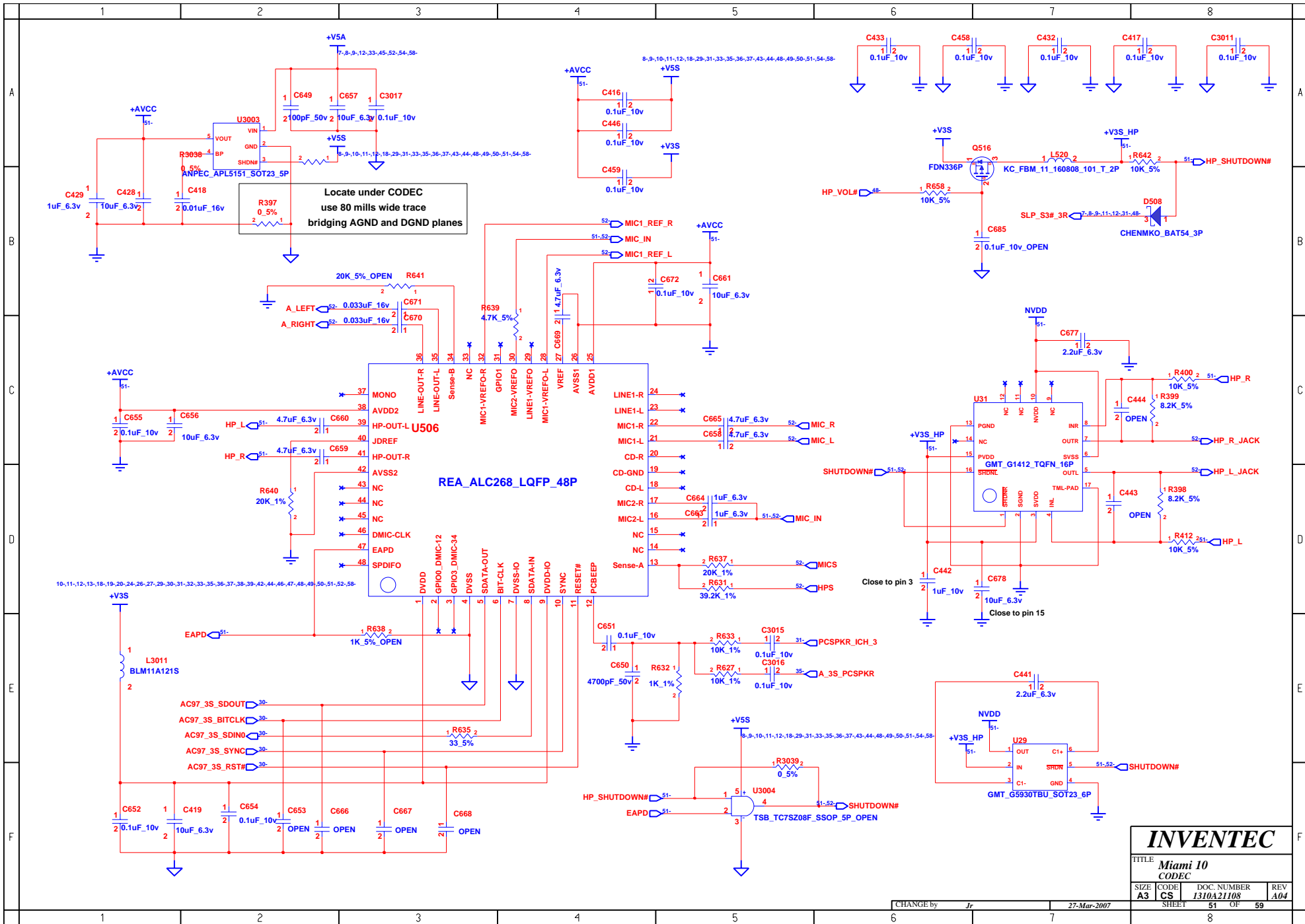
KEYBOARD



INVENTEC			
TITLE <i>Miami 10</i> K/B & T/P CONN			
SIZE A3	CODE CS	DOC. NUMBER <i>1310A21108</i>	REV <i>A04</i>
CHANGE by <i>Jr</i>		27-Mar-2007	
SHEET 49		OF 59	



INVENTEC			
TITLE <i>Miami 10</i>			
FINGER / CAMERA CONN & CIR			
SIZE	CODE	DOC. NUMBER	REV
A3	CS	1310A21108	A04
CHANGE by <i>Jr</i>		27-Mar-2007	SHEET 50 OF 59



INVENTEC			
TITLE Miami 10 CODEC			
SIZE A3	CODE CS	DOC. NUMBER I310A21108	REV A04
CHANGE by <i>Jr</i>		27-Mar-2007	
SHEET 51		OF 59	

A

B

C

D

E

F

A

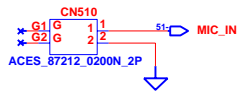
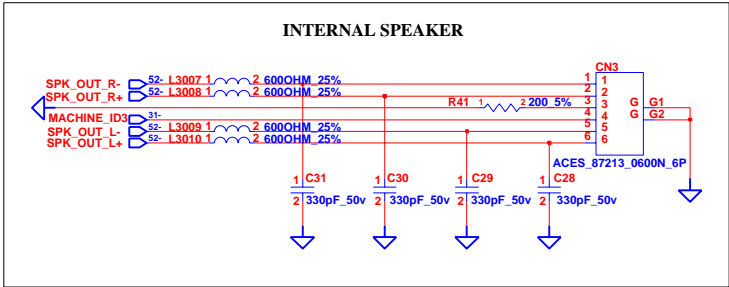
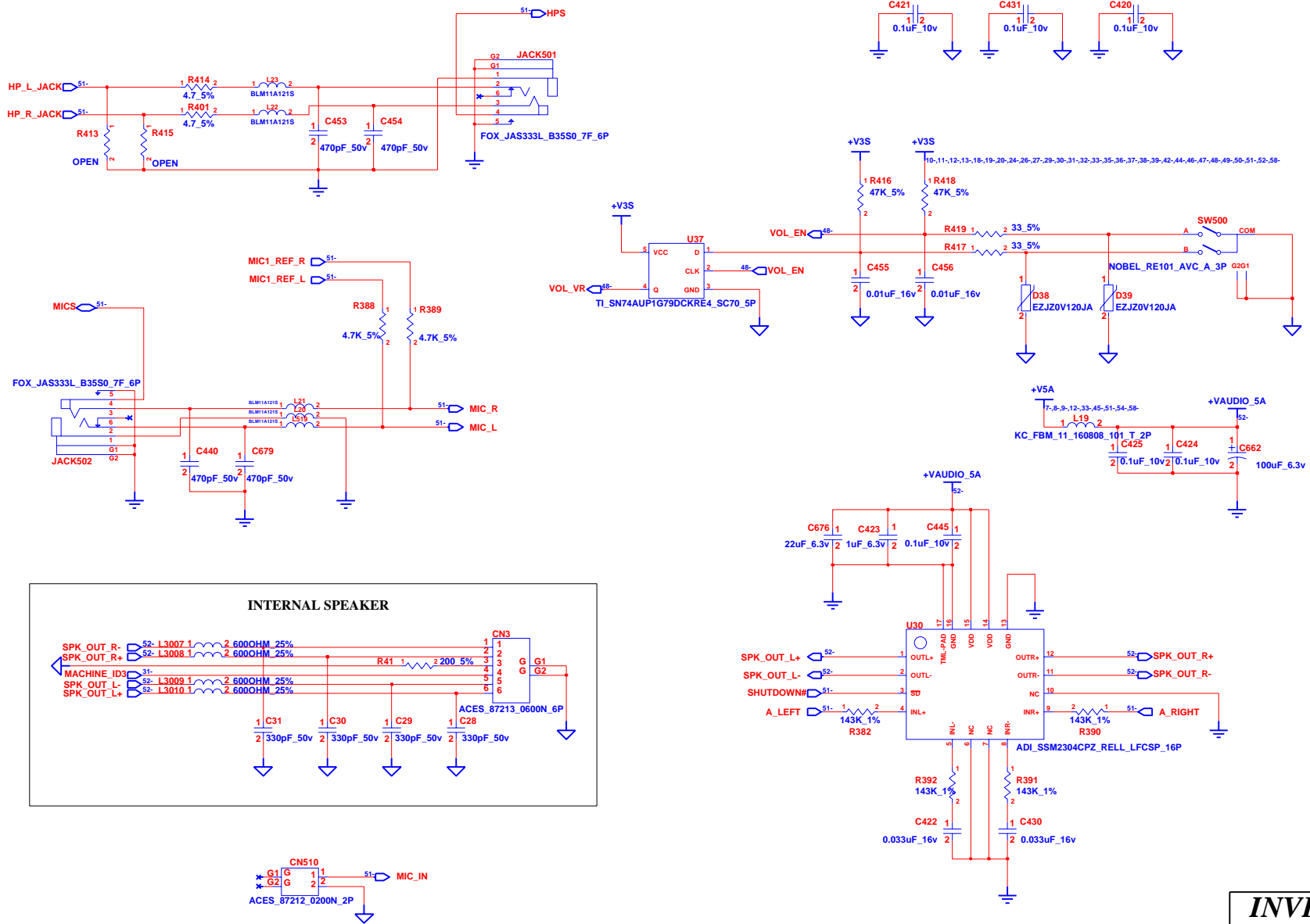
B

C

D

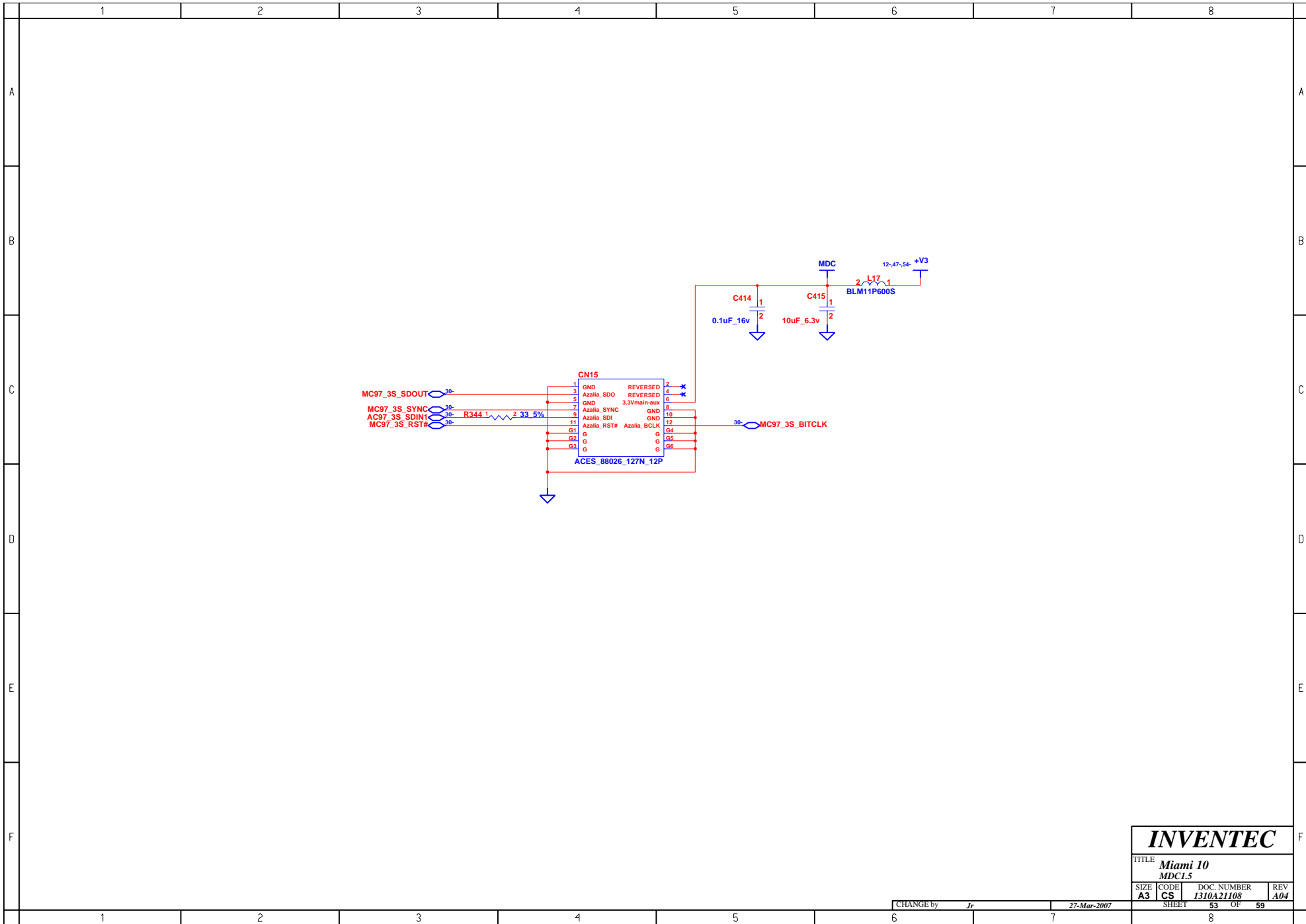
E

F



INVENTEC

TITLE			
Miami 10			
AMP & MIC & HP			
SIZE	CODE	DOC. NUMBER	REV
A3	CS	1310A21108	A04
CHANGE by		SHEET	
Jr		52 OF 59	



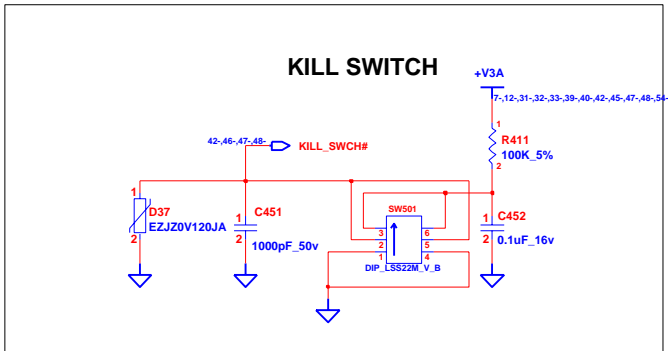
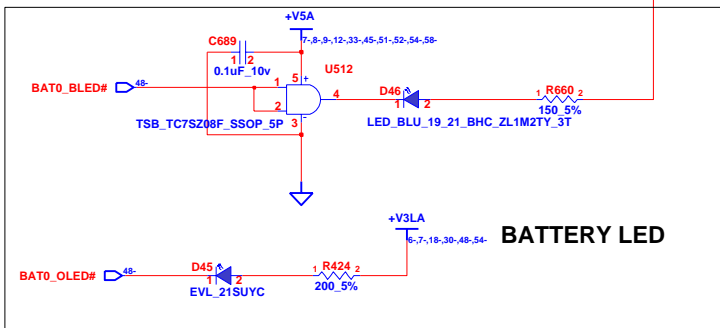
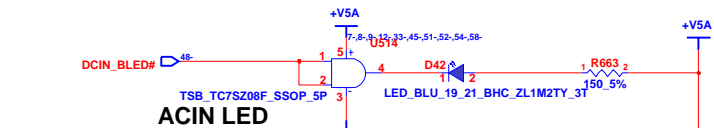
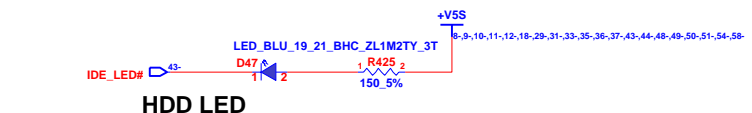
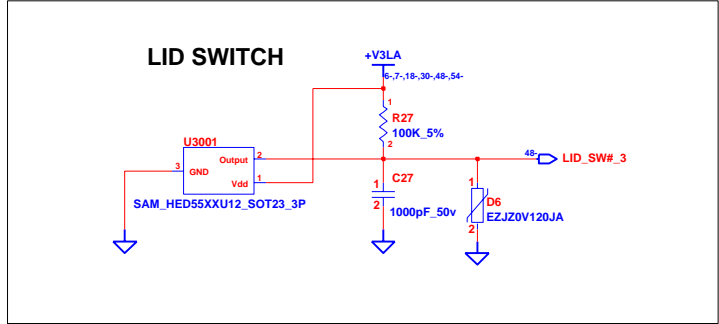
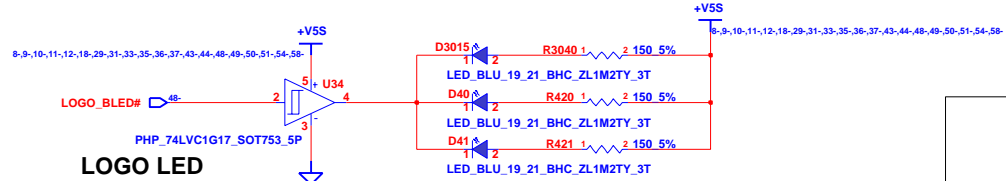
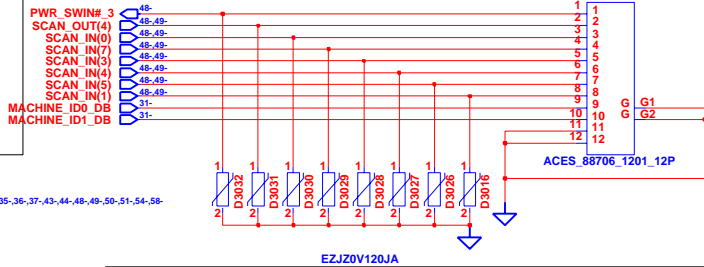
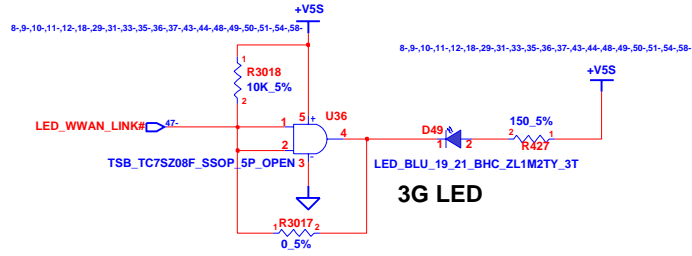
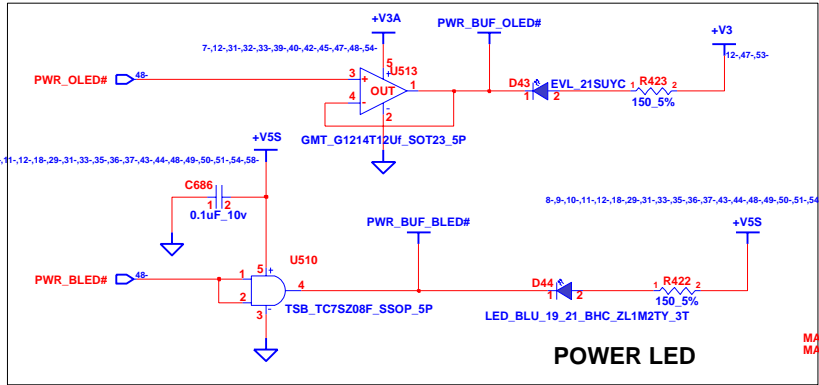
INVENTEC

TITLE
Miami 10
MDCL5

SIZE A3	CODE CS	DOC. NUMBER 1310A21108	REV A04
-------------------	-------------------	----------------------------------	-------------------

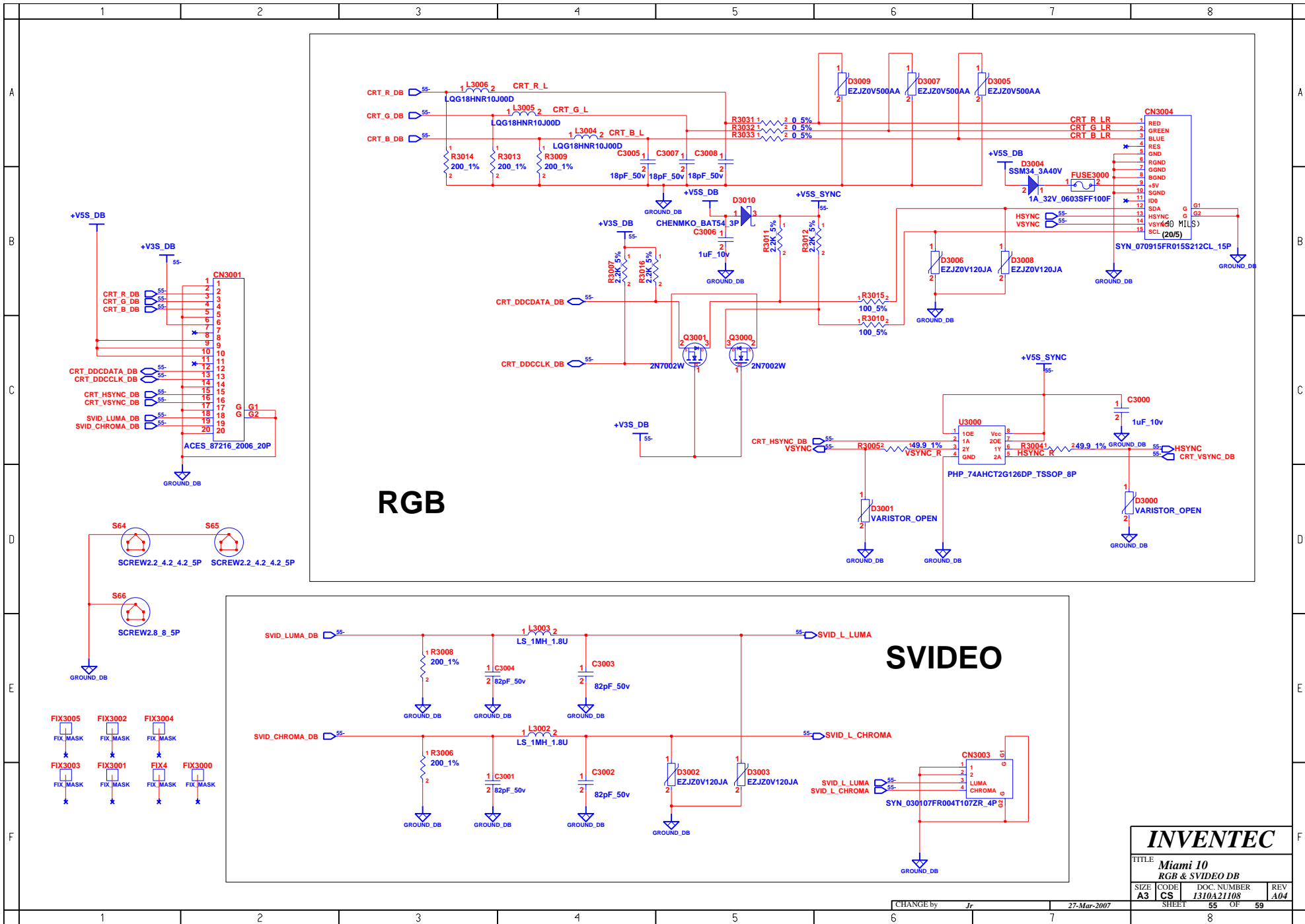
CHANGE by *Jr* 27-Mar-2007

SHEET 53 OF 59



INVENTEC

TITLE			
Miami 10 LED			
SIZE	CODE	DOC. NUMBER	REV
A3	CS	1310A21108	A04
SHEET		54 OF	59

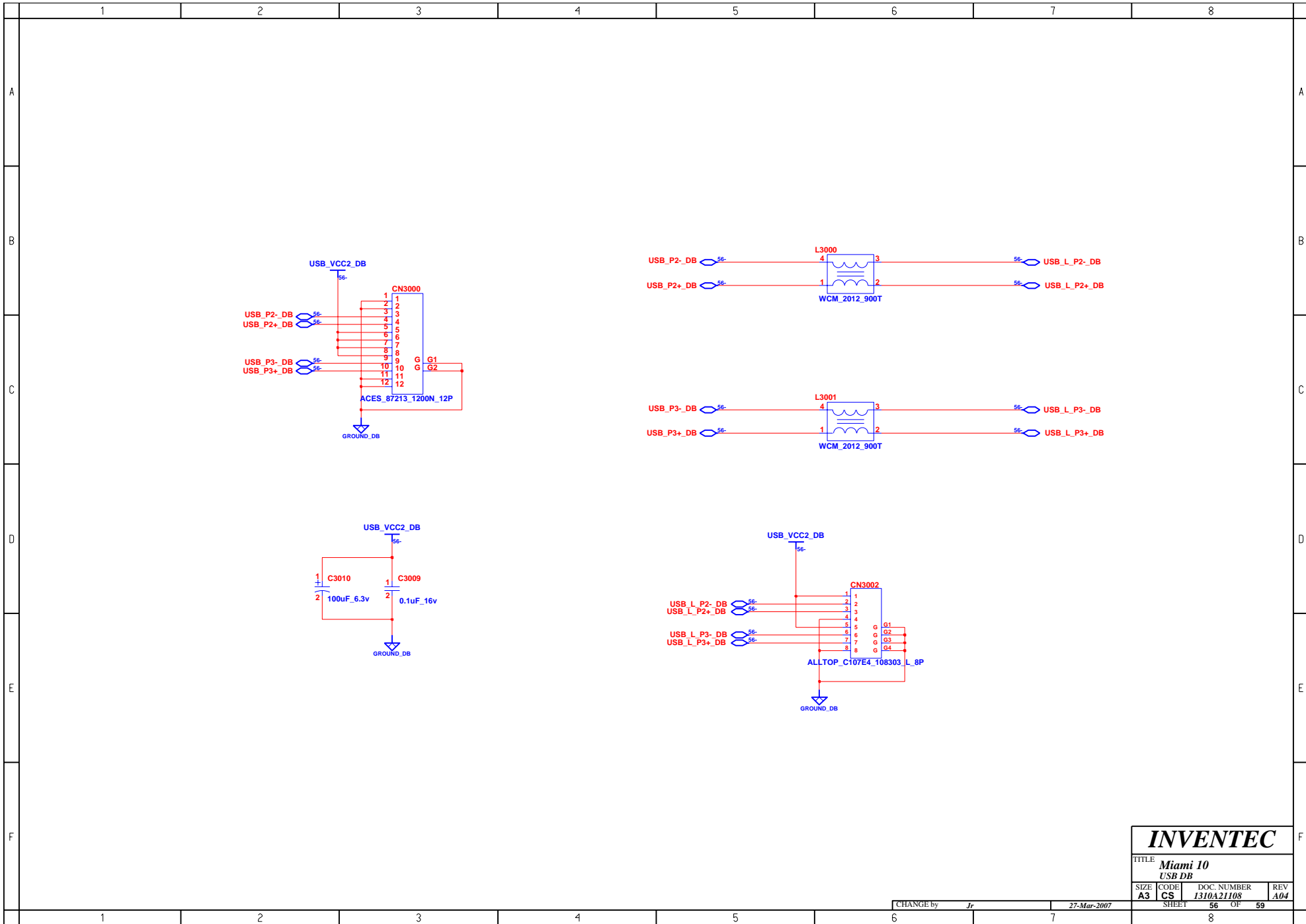


RGB

SVIDEO

INVENTEC

TITLE			
Miami 10			
RGB & SVIDEO DB			
SIZE	CODE	DOC. NUMBER	REV
A3	CS	1310A21108	A04
CHANGE by		27-Mar-2007	
SHEET		55 OF 59	



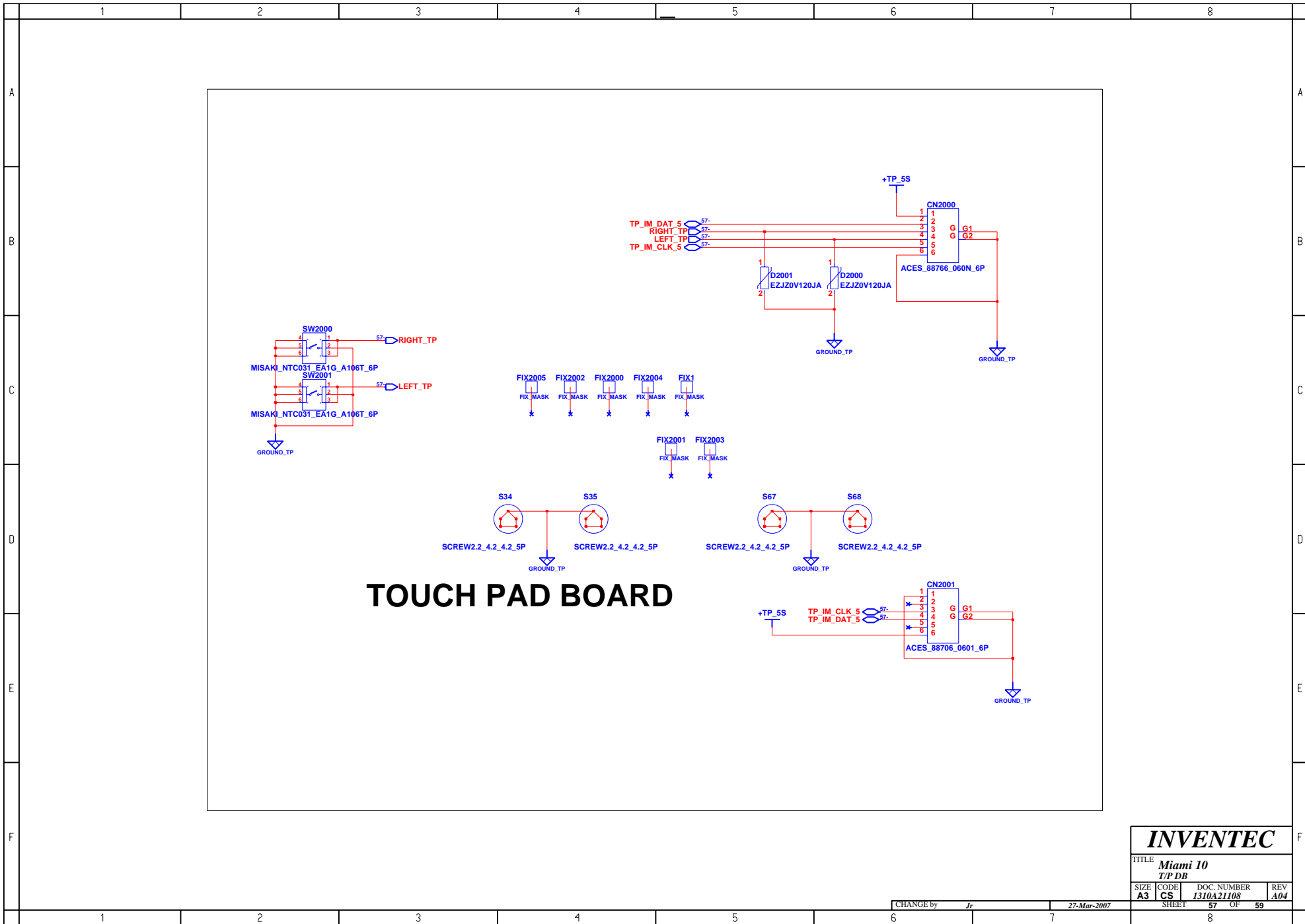
INVENTEC

TITLE
Miami 10
USB DB

SIZE A3	CODE CS	DOC. NUMBER 1310A21108	REV A04
-------------------	-------------------	----------------------------------	-------------------

CHANGE by *Jr* 27-Mar-2007

SHEET 56 OF 59



TOUCH PAD BOARD

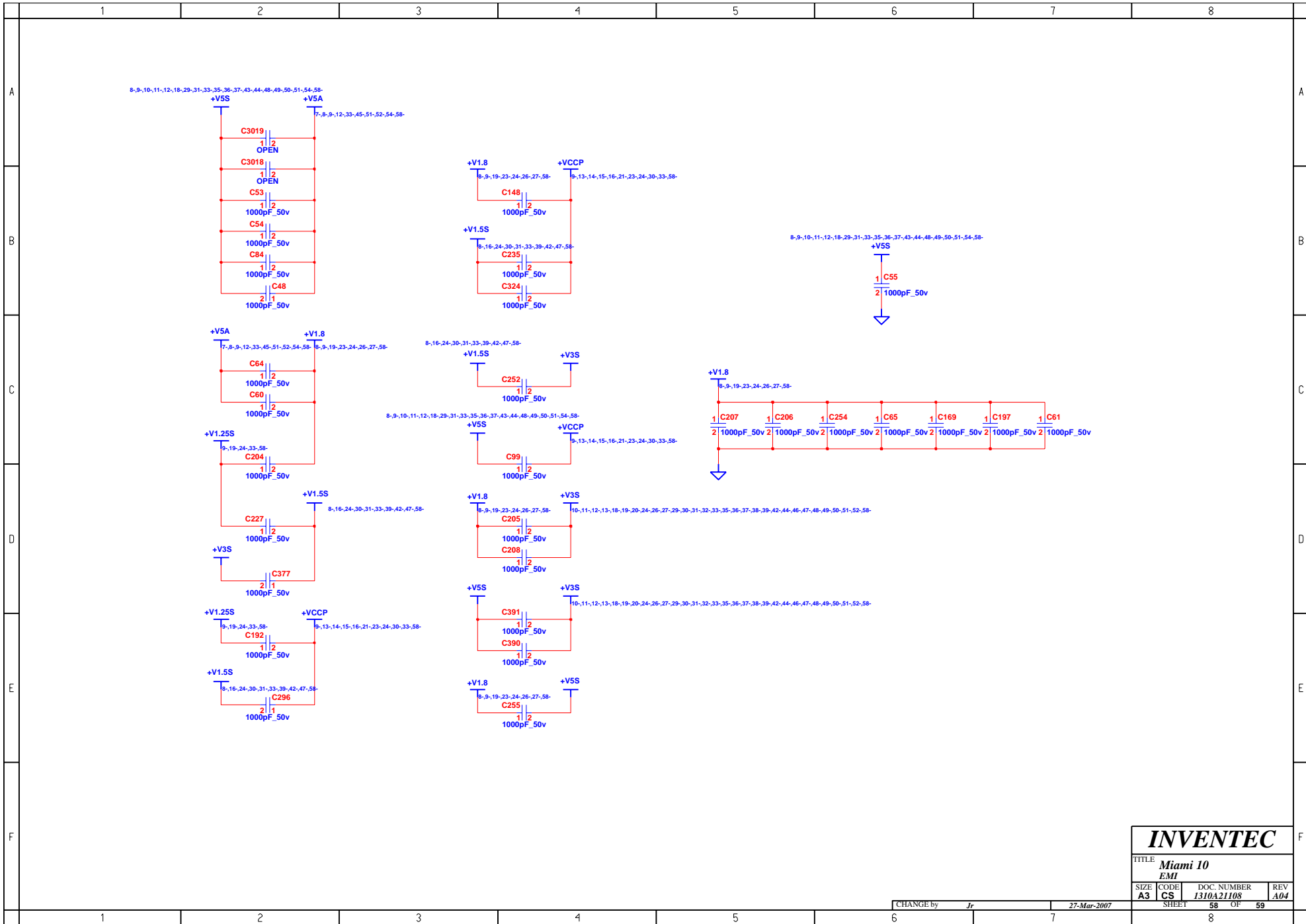
INVENTEC

TITLE *Miami 10*
T/P DB

SIZE	CODE	DOC. NUMBER	REV
A3	CS	1310A21108	A04

CHANGE by *Jr* 27-Mar-2007

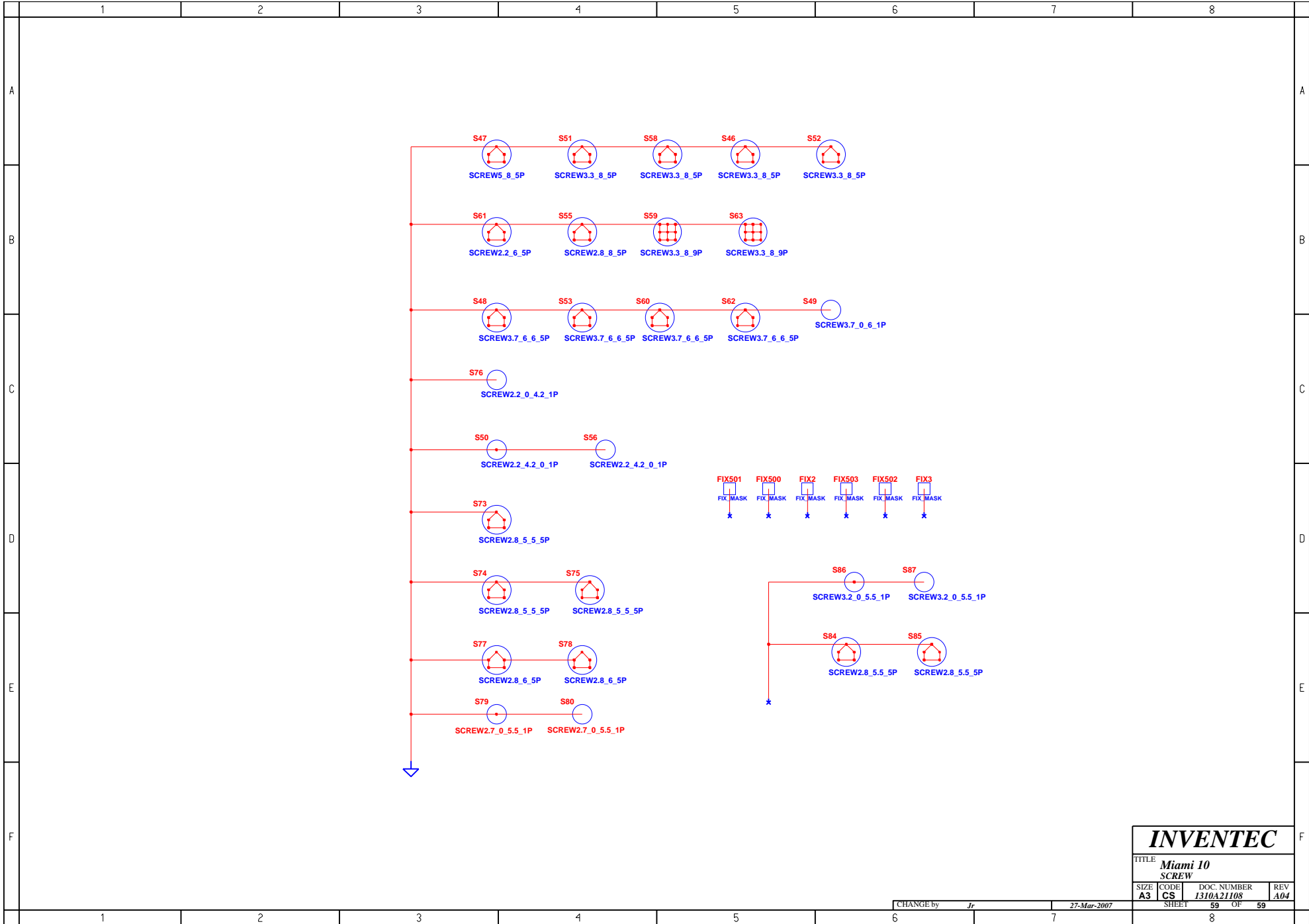
SHEET 57 OF 59



INVENTEC

TITLE			
Miami 10			
EMI			
SIZE	CODE	DOC. NUMBER	REV
A3	CS	1310A21108	A04
SHEET		OF	
58		OF	59

CHANGE by Jr 27-Mar-2007



INVENTEC

TITLE			
Miami 10			
SCREW			
SIZE	CODE	DOC. NUMBER	REV
A3	CS	1310A21108	A04

CHANGE by Jr 27-Mar-2007

SHEET 59 OF 59